

CATTANI AUSTRALIA

2020 CATALOGUE & PRICE LIST

VALID TO 31 DECEMBER 2020



SMART THINKING, THE WAY WE INNOVATE.

ABOUT CATTANI

IT STARTED IN ITALY

Cattani is family. The late Mr Augusto Cattani established Cattani S.p.A. in Parma, Italy, in 1967 to develop and produce high-quality, high-performance dental suction units and oil-free compressors that delivered long-term cost benefits. Today, under the leadership of Mr Cattani's son, Ennio, Cattani exports to countries all over the world, including Australia and New Zealand.

In 1984, Cattani created ESAM, a subsidiary specialising in side-channel blowers, and in 2003 another subsidiary, Magnolia, was launched to develop a range of premium dental disinfection products.

THE AUSTRALIAN STORY

As in Italy, Cattani down under is very much a family affair.

Bill Clark, who founded Cattani Australia in 1987 with his father, Bill Snr, actually started working in the dental industry more than 50 years ago. In 2017, Bill's wife, Pam Clark, was admitted as an Officer of the Order of Australia for her distinguished service to the dental industry. In 2009, the next generation of the Clark family, Allison, joined the business. Now, as Head of Finance – and a Director – Allison plays an important strategic role.

In 2019, the position of Chief Executive Officer of the Cattani Australasia Group of companies was created, with General Manager Greg Fox stepping into the role.

Today, the Clarks' Cattani group of companies is spread across the Asia Pacific region, and includes Cattani Australasia, Cattani Asia, and industrial air technology company ESAM.

TECHNICAL EXPERTISE AND TRAINING

Cattani Australasia leads the way in modular installation of parallel units for multiple users, and every item of equipment that leaves the Cattani Australasia warehouse is checked, modified if necessary, and tested to ensure it meets all regulatory and industrial standards. Moreover, Cattani's flagship suction equipment includes key features designed by Australian technicians.

Cattani's clear focus extends into technical expertise. Our vastly experienced specialist technicians are the industry leaders, giving us a competitive advantage in service and customisation. With this expertise we ensure our products deliver optimum performance in any facility, whether it is a single-chair practice or a hospital or university installation.

We also run comprehensive training programmes to ensure that this technical expertise and level of service extends to our outstanding network of distributors, which benefits end users directly through the Cattani Blueprints and After Care programmes.

SPACE AGE TECHNOLOGY

Cattani capability and innovation was acknowledged in a special and memorable way when Ferrari Engineering, as supplier to the European Space Agency, commissioned Cattani and its sister company ESAM to provide the air technology for the NASA space shuttle. Our Italian engineers designed a tiny, 180gm compressor able to maintain a pressure of 38 bar for the purpose. We were over the moon with its performance. Cattani and ESAM also contributed to the Eurostar project – the pride of the Italian railway system, producing the train's pressurisation system.

OUR CORE VALUES

We act with unquestionable integrity

We embrace responsibility

We are results focused

We operate with transparency

CONTENTS

04

OIL-FREE COMPRESSORS

- 05 COMPRESSORS – DENTAL
- 06 DENTAL COMPRESSOR RANGE
- 09 DENTAL COMPRESSOR SPECIFICATIONS AND PRICES
- 13 COMPRESSORS – CAD/CAM
- 14 CAD/CAM COMPRESSOR RANGE
- 15 CAD/CAM COMPRESSOR SPECIFICATIONS AND PRICES
- 18 COMPRESSOR ACCESSORIES

20

SUCTION SYSTEMS

- 21 SMART SUCTION
- 22 WHAT IS INVERTER CONTROL?
- 23 AMALGAM RETENTION
- 24 SMART SUCTION RANGE
- 25 SMART CUBE RANGE
- 26 SMART SUCTION SPECIFICATIONS AND PRICES
- 31 LARGE INSTALLATIONS RANGE
- 32 LARGE INSTALLATIONS SPECIFICATIONS AND PRICES

34

34 PLANT ROOM SOLUTIONS

- 35 VENTO
- 36 BLOK-JET SILENT 2

38 CLASSIC SUCTION

- 39 CLASSIC SUCTION RANGE
- 41 CLASSIC SUCTION SPECIFICATIONS AND PRICES

45 SUCTION ACCESSORIES

54

CONSUMABLES

- 56 MAGNOLIA
- 58 SUCTION TIPS

60

MAINTENANCE AND SERVICE

62

COMPRESSOR SERVICE KITS AND SPARE PARTS

63 COMPRESSOR
SERVICE KITS

64 COMPRESSOR
SPARE PARTS

66

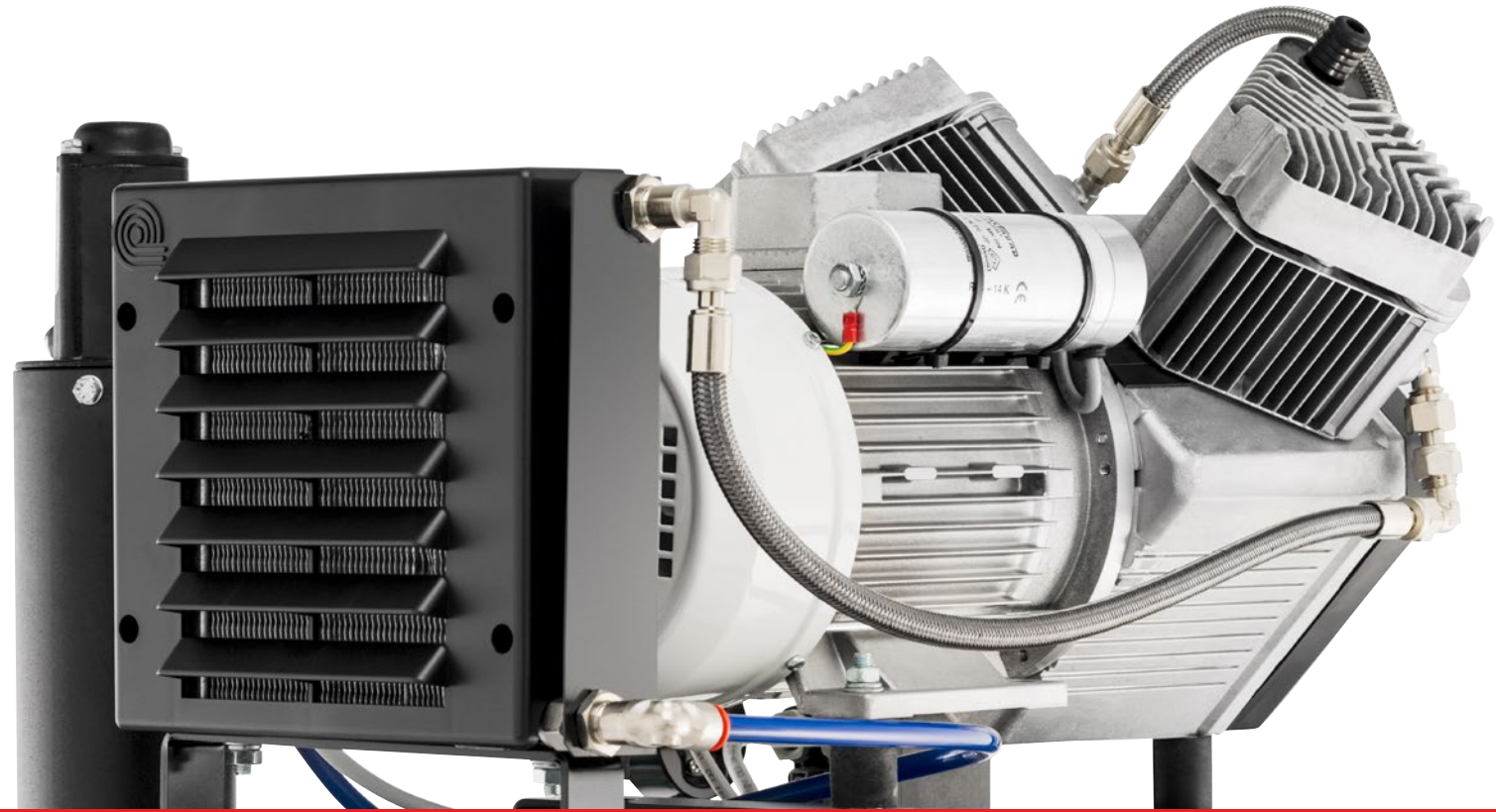
SUCTION SERVICE KITS AND SPARE PARTS

67 SUCTION SERVICE KITS

68 SUCTION SPARE PARTS

84

EQUIPMENT INSTALLATION



OIL-FREE COMPRESSORS

COMPRESSORS DENTAL



Quality air is essential in dental. That's why Cattani compressors deliver clean, dry, oil-free air to keep your practice running. Our compressors are incredibly reliable and low maintenance.

Performance is a key factor in any purchase decision. When comparing brands, we encourage you to weigh price against air output (l/min at 5-bar pressure). Often a cheaper compressor comes with inferior performance. That's not Cattani.

Clean – Cattani compressors produce high quality, hygienic air. Every compressor tank is lined with a certified food grade resin, which helps protect the patient and the work you are doing for them. The low-friction compressor components also reduce the need for maintenance and prolong the lifespan of the unit.

Reliable – We back our compressors with an industry-leading 7-year parts and labour warranty, such is our confidence in their superior design, mechanical precision and robust components. Our compressors are easy to install and require minimal maintenance.

Versatile – Cattani manufactures compressors in sizes and configurations suitable for every scenario, from a single chair right through to large-scale hospital and university installations.

Just quietly – We also offer a range of sound reduction options, from acoustic hoods to fully enclosed boxes, if noise is an issue.

7-year warranty – Cattani stands by its products, and nothing says reliability like an industry-leading warranty.

For advice on site requirements and the installation of Cattani equipment, please go to Equipment Installations on page 84.

Indent Items: Some products are available only on request. Please allow 14-16 weeks for delivery of these indent items. Such items are subject to a 15% deposit and cannot be returned for credit.

DENTAL COMPRESSOR RANGE



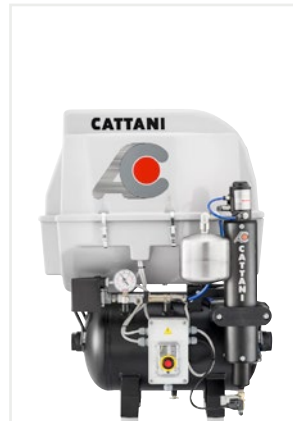
PAGE 09

KAC1000
13125
1 CHAIR



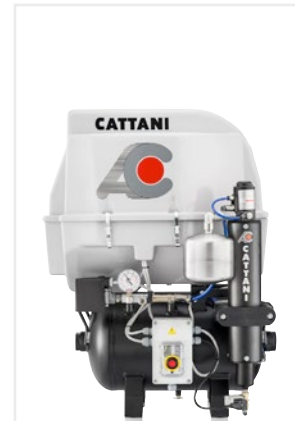
PAGE 09

KAC100E
1 CHAIR



PAGE 09

KAC100Q
13144
1 CHAIR



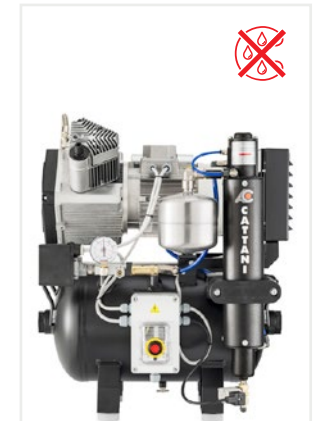
PAGE 09

KAC100QE
1 CHAIR



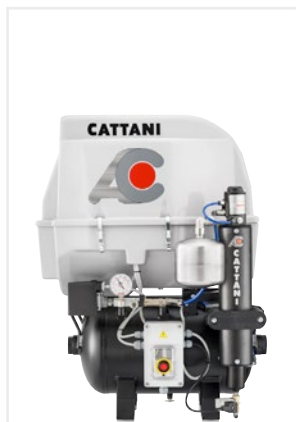
PAGE 09

KAC2000
13208
2-3 CHAIRS



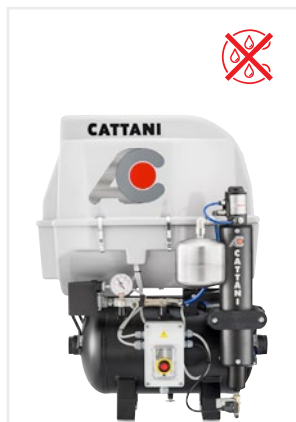
PAGE 09

KAC200E
2-3 CHAIRS



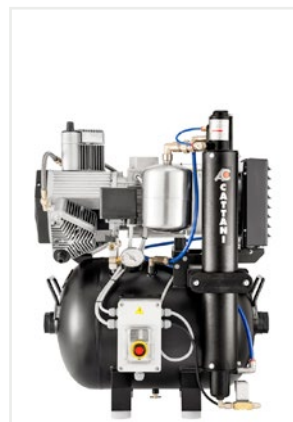
PAGE 09

KAC200Q
13244
2-3 CHAIRS



PAGE 09

KAC200QE
2-3 CHAIRS



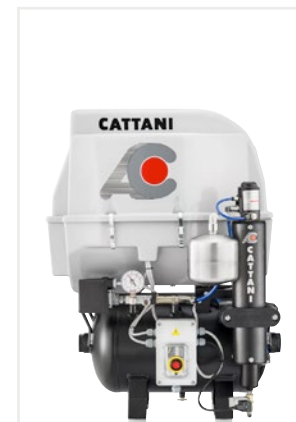
PAGE 10

KAC300
13308
3-4 CHAIRS



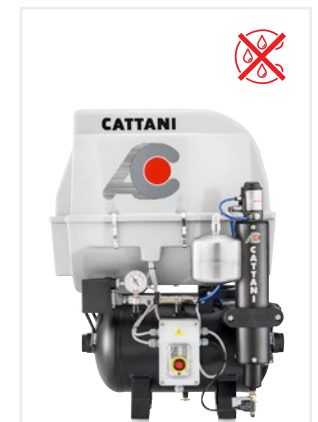
PAGE 10

KAC300E
3-4 CHAIRS



PAGE 10

KAC300Q
13344
3-4 CHAIRS



PAGE 10

KAC300QE
3-4 CHAIRS





PAGE 10

KAC4000
13432
5-6 CHAIRS



PAGE 10

KAC400E
5-6 CHAIRS



PAGE 10

KAC4001P
13422
5-6 CHAIRS



PAGE 10

KAC4001PE
5-6 CHAIRS



PAGE 11

KAC400Q
13450
5-6 CHAIRS



PAGE 11

KAC400QE
5-6 CHAIRS



PAGE 11

KAC400Q1P
13444
5-6 CHAIRS



PAGE 11

KAC4000Q1PE
5-6 CHAIRS



PAGE 11

KAC6000
13532
7-8 CHAIRS



PAGE 11

KAC600E
7-8 CHAIRS



PAGE 11

KAC600Q
13557
7-8 CHAIRS



PAGE 11

KAC600QE
7-8 CHAIRS



DENTAL COMPRESSOR RANGE



PAGE 12

KAC9000
13599
12 CHAIRS



PAGE 12

KAC900E
12 CHAIRS



PAGE 12

KAC1200
13595
16 CHAIRS



PAGE 12

KAC1200E
16 CHAIRS



PAGE 12

KAC1800
13594
24 CHAIRS



PAGE 12

KAC1800E
24 CHAIRS



PAGE 12

KAC2400
32 CHAIRS



DENTAL COMPRESSOR SPECIFICATIONS AND PRICES



7 YEAR WARRANTY



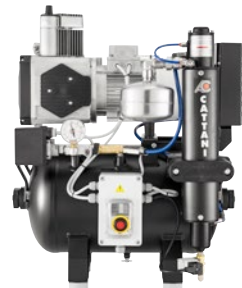
OIL FREE



LOW NOISE FOR "Q" RANGE



DRY AIR DELIVERY



AC100
13125

Single Cylinder Compressor



AC100Q
13144

Quiet Single Cylinder Compressor



AC200
13208

2 Cylinder Compressor



AC200Q
13244

Quiet 2 Cylinder Compressor

	AC100	AC100Q	AC200	AC200Q
ITEM CODE	K-AC1000	K-AC100Q	K-AC2000	K-AC200Q
NO. OF CHAIRS	1	1	2-3	2-3
POWER	1PH 240V 3.8A 0.55KW	1PH 240V 3.8A 0.55KW	1PH 240V 7.1A 1.25KW	1PH 240V 7.1A 1.25KW
HEIGHT MM	720	860	720	860
WIDTH MM	620	660	620	660
DEPTH MM	460	600	460	600
WEIGHT KG	47	57	54	64
SOUND OUTPUT dB(A)	70	63	71	63
MAX AIR FLOW AT 5 BAR NL/min	67.5	67.5	160	160
TANK SIZE (LITRES)	30	30	30	30
COST (EX GST)	\$6,339.00	\$8,589.00	\$7,162.00	\$9,412.00
COST (INC GST)	\$6,972.90	\$9,447.90	\$7,878.20	\$10,353.20

AC100E

Units with dryer pre-filter for humid climates

AC100QE

Units with dryer pre-filter for humid climates

AC200E

Units with dryer pre-filter for humid climates

AC200QE

Units with dryer pre-filter for humid climates

COST (EX GST)	\$6,839.00	\$9,089.00	\$7,662.00	\$9,912.00
COST (INC GST)	\$7,522.90	\$9,997.90	\$8,428.20	\$10,903.20

DENTAL COMPRESSOR SPECIFICATIONS AND PRICES



7 YEAR WARRANTY



OIL FREE



LOW NOISE FOR "Q" RANGE



DRY AIR DELIVERY



AU/NZ **AC300**
IT **13308**

3 Cylinder
Compressor



AU/NZ **AC300Q**
IT **13344**

Quiet 3 Cylinder
Compressor



AU/NZ **AC400**
IT **13432**

Tandem 2 Cylinder
Compressor



AU/NZ **AC4001P**
IT **13422**

Tandem 2 Cylinder
Compressor

	AC300	AC300Q	AC400	AC4001P
ITEM CODE	K-AC3000	K-AC300Q	K-AC4000	K-AC4001P
NO. OF CHAIRS	3-4	3-4	5-6	5-6
POWER	1PH 240V 9.2A 1.5KW	1PH 240V 10.2A 1.5KW	3PH 400V 7.4A 3.0KW	1PH 240V 15.4A 2.4KW
HEIGHT MM	750	979	745	745
WIDTH MM	620	720	1155	1155
DEPTH MM	520	700	550	550
WEIGHT KG	65	80	112	112
SOUND OUTPUT dB(A)	73.6	68	73	73
MAX AIR FLOW AT 5 BAR NL/min	238	238	320	320
TANK SIZE (LITRES)	45	45	100	100
COST (EX GST)	\$8,753.00	\$11,003.00	\$13,113.00	\$13,113.00
COST (INC GST)	\$9,628.30	\$12,103.30	\$14,424.30	\$14,424.30

AU/NZ **AC300E**

Units with dryer pre-filter
for humid climates

COST (EX GST)	\$9,253.00
COST (INC GST)	\$10,178.30

AU/NZ **AC300QE**

Units with dryer pre-filter
for humid climates

COST (EX GST)	\$11,503.00
COST (INC GST)	\$12,653.30

AU/NZ **AC400E**

Units with dryer pre-filter
for humid climates

COST (EX GST)	\$14,113.00
COST (INC GST)	\$15,524.30

AU/NZ **AC4001PE**

Units with dryer pre-filter
for humid climates

COST (EX GST)	\$14,113.00
COST (INC GST)	\$15,524.30

DENTAL COMPRESSOR SPECIFICATIONS AND PRICES



7 YEAR WARRANTY



OIL FREE



LOW NOISE FOR "Q" RANGE



DRY AIR DELIVERY



AC400Q
13450

Quiet Tandem 2 Cylinder Compressor



AC400Q1P
13444

Quiet Tandem 2 Cylinder Compressor



AC600
13532

Tandem 3 Cylinder Compressor



AC600Q
13557

Quiet Tandem 3 Cylinder Compressor

	AC400Q
ITEM CODE	K-AC400Q
NO. OF CHAIRS	5-6
POWER	3PH 400V 7.4A 3.0KW
HEIGHT MM	890
WIDTH MM	1160
DEPTH MM	650
WEIGHT KG	135
SOUND OUTPUT dB(A)	63.8
MAX AIR FLOW AT 5 BAR NL/min	320
TANK SIZE (LITRES)	100
COST (EX GST)	\$17,613.00
COST (INC GST)	\$19,374.30

	AC400Q1P
ITEM CODE	K-AC400Q1P
NO. OF CHAIRS	5-6
POWER	1PH 230V 15.4A 2.4 KW
HEIGHT MM	890
WIDTH MM	1160
DEPTH MM	650
WEIGHT KG	135
SOUND OUTPUT dB(A)	63.8
MAX AIR FLOW AT 5 BAR NL/min	320
TANK SIZE (LITRES)	100
COST (EX GST)	\$17,613.00
COST (INC GST)	\$19,374.30

	AC600
ITEM CODE	K-AC6000
NO. OF CHAIRS	7-8
POWER	3PH 400V 7.4A 3.0KW
HEIGHT MM	890
WIDTH MM	1320
DEPTH MM	590
WEIGHT KG	124
SOUND OUTPUT dB(A)	74
MAX AIR FLOW AT 5 BAR NL/min	476
TANK SIZE (LITRES)	150
COST (EX GST)	\$15,955.00
COST (INC GST)	\$17,550.50

	AC600Q
ITEM CODE	K-AC600Q
NO. OF CHAIRS	7-8
POWER	3PH 400V 7.4A 3.0KW
HEIGHT MM	1040
WIDTH MM	1320
DEPTH MM	770
WEIGHT KG	169
SOUND OUTPUT dB(A)	70.4
MAX AIR FLOW AT 5 BAR NL/min	476
TANK SIZE (LITRES)	150
COST (EX GST)	\$20,445.00
COST (INC GST)	\$22,500.50

AC400QE

Units with dryer pre-filter for humid climates

COST (EX GST)	\$18,613.00
COST (INC GST)	\$20,474.30

AC400Q1PE

Units with dryer pre-filter for humid climates

COST (EX GST)	\$18,613.00
COST (INC GST)	\$20,474.30

AC600E

Units with dryer pre-filter for humid climates

COST (EX GST)	\$16,955.00
COST (INC GST)	\$18,650.50

AC600QE

Units with dryer pre-filter for humid climates

COST (EX GST)	\$21,455.00
COST (INC GST)	\$23,600.50

DENTAL COMPRESSOR SPECIFICATIONS AND PRICES



7 YEAR WARRANTY



OIL FREE



LOW NOISE FOR "Q" RANGE



DRY AIR DELIVERY



AC900
13599

Triple 3 Cylinder Compressor



AC1200
13595

Tandem 6 Cylinder Compressor



AC1800
13594

Triple 6 Cylinder Compressor



AC2400

Quad 6 Cylinder Compressor

	AC900
ITEM CODE	K-AC900
NO. OF CHAIRS	12
POWER	3PH 400V 11.1A 4.5KW
HEIGHT MM	1000
WIDTH MM	1800
DEPTH MM	810
WEIGHT KG	260
SOUND OUTPUT dB(A)	75
MAX AIR FLOW AT 5 BAR NL/min	714
TANK SIZE (LITRES)	300
COST (EX GST)	\$26,991.50
COST (INC GST)	\$29,690.65

	AC1200
ITEM CODE	K-AC1200
NO. OF CHAIRS	16
POWER	3PH 400V 15A 6.5KW
HEIGHT MM	1100
WIDTH MM	1800
DEPTH MM	880
WEIGHT KG	303
SOUND OUTPUT dB(A)	81
MAX AIR FLOW AT 5 BAR NL/min	952
TANK SIZE (LITRES)	300
COST (EX GST)	\$34,039.50
COST (INC GST)	\$37,443.45

	AC1800
ITEM CODE	K-AC1800
NO. OF CHAIRS	24
POWER	3PH 400V 22.6A 9.75KW
HEIGHT MM	1100
WIDTH MM	1800
DEPTH MM	1100
WEIGHT KG	394
SOUND OUTPUT dB(A)	82.5
MAX AIR FLOW AT 5 BAR NL/min	1428
TANK SIZE (LITRES)	300
COST (EX GST)	\$51,796.00
COST (INC GST)	\$56,975.60

	AC2400
ITEM CODE	K-AC2400
NO. OF CHAIRS	32
POWER	3PH 400V 31A 13KW
HEIGHT MM	2000
WIDTH MM	1550
DEPTH MM	760
WEIGHT KG	300
SOUND OUTPUT dB(A)	83.5
MAX AIR FLOW AT 5 BAR NL/min	1680
TANK SIZE (LITRES)	300
COST (EX GST)	\$102,995.00
COST (INC GST)	\$113,294.50

Indent item

Indent item

Indent item

AC900E

Units with dryer pre-filter for humid climates

COST (EX GST)	\$28,491.50
COST (INC GST)	\$31,340.65

AC1200E

Units with dryer pre-filter for humid climates

COST (EX GST)	\$36,039.50
COST (INC GST)	\$39,643.45

Indent item

AC1800E

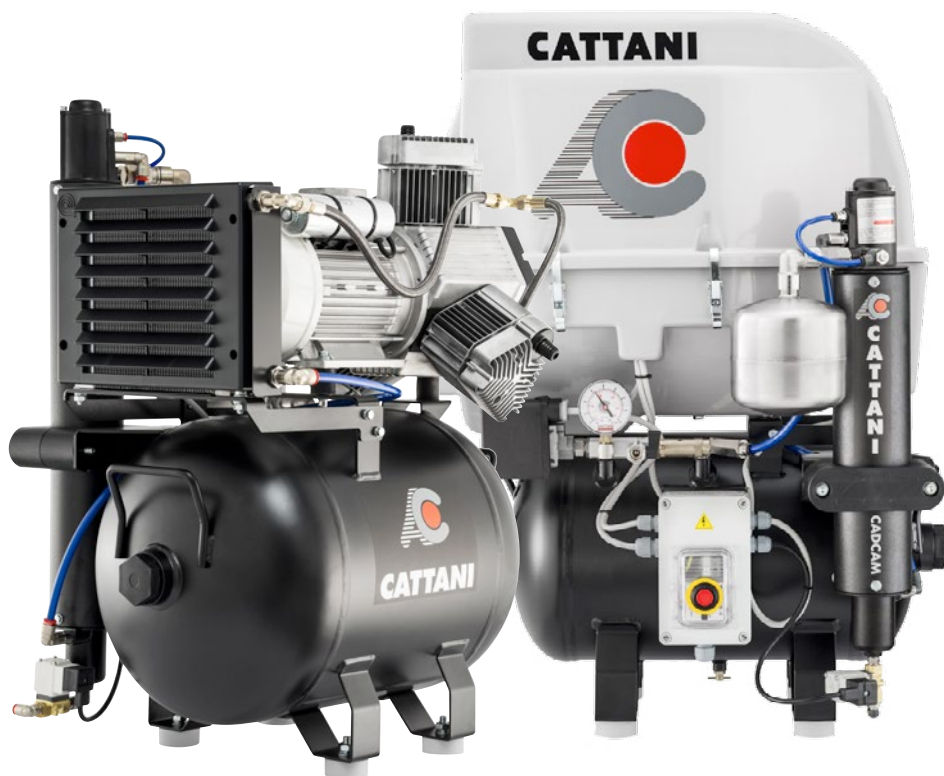
Units with dryer pre-filter for humid climates

COST (EX GST)	\$54,796.00
COST (INC GST)	\$60,275.60

Indent item

COMPRESSORS

CAD/CAM



Sometimes you need air so clean that it's out of this world – CAD/CAM milling for example. That's why Cattani made a compressor that delivers its purest air yet, specifically to meet the demands set by CAD/CAM manufacturers.

Cattani CAD/CAM compressors are ideal for precision CAD/CAM milling, setting the standard for power, air quality and performance. If you need a CAD/CAM compressor, you need a Cattani CAD/CAM compressor.

Power – purpose-built to maintain a constant and sustainable operating pressure of 8 bar over long CAM cycles, Cattani CAD/CAM compressors ensure optimal mill performance.

Air quality – Cattani CAD/CAM compressors sit comfortably within ISO standards with a 99.97% efficiency rating for particles greater than 0.3 microns, so preventing damage to your valuable equipment and precious work.

Performance – nothing says reliability like an industry-leading 7-year warranty. Our CAD/CAM compressors run and run. They're particularly robust, easy to install and low maintenance.

CAD/CAM compressors by Cattani:

- Ultra clean, dry, oil-free air
- Silver ion BioCote tank lining protects against microbes
- Power for the purpose
- Super robust and reliable
- Minimal maintenance
- Sound reduction options
- Unrivalled technical service back-up

Indent Items: Some products are available only on request. Please allow 14-16 weeks for delivery of these indent items. Such items are subject to a 15% deposit and cannot be returned for credit.



PAGE 15

AC310
13310

PAGE 15

AC310Q
13355

PAGE 15

AC410
13413

PAGE 15

AC4101-P
13410

PAGE 16

AC410Q
13458

PAGE 16

AC410Q1-P
13455

PAGE 16

AC610
13513

PAGE 16

AC610Q
13558

PAGE 17

AC910
13578

CAD/CAM COMPRESSOR SPECIFICATIONS AND PRICES



7 YEAR WARRANTY



OIL FREE



LOW NOISE FOR "Q" RANGE



DRY AIR DELIVERY



AU/NZ **AC310**
IT **13310**

3 Cylinder CAD/CAM Compressor



AU/NZ **AC310Q**
IT **13355**

Quiet 3 Cylinder CAD/CAM Compressor



AU/NZ **AC410**
IT **13413**

Tandem 2 Cylinder CAD/CAM Compressor



AU/NZ **AC4101-P**
IT **13410**

Tandem 2 Cylinder CAD/CAM Compressor

	KAC3100	KAC310Q	KAC4100	K-AC4101-P
ITEM CODE	K-AC3100	K-AC310Q	K-AC4100	K-AC4101-P
NO. OF CHAIRS	N/A	N/A	N/A	N/A
POWER	1PH 230V 10.2A 1.5KW	1PH 230V 10.2A 1.5KW	3PH 400V 7.2A 3KW	1PH 240V 15.4A 2.4KW
HEIGHT MM	750	979	745	745
WIDTH MM	620	720	1155	1155
DEPTH MM	520	700	550	550
WEIGHT KG	64	80	112	112
SOUND OUTPUT dB(A)	73.6	68	73	73
MAX AIR FLOW AT 8 BAR NL/min	165	165	215	215
TANK SIZE (LITRES)	45	45	100	100
COST (EX GST)	\$9,503.00	\$11,753.00	\$13,863.00	\$13,863.00
COST (INC GST)	\$10,453.30	\$12,928.30	\$15,249.30	\$15,249.30

Indent item

Indent item

Indent item

All CAD/CAM range compressors are available with pre-filters for humid environments upon request.

CAD/CAM COMPRESSOR SPECIFICATIONS AND PRICES



7 YEAR WARRANTY



OIL FREE



LOW NOISE FOR "Q" RANGE



DRY AIR DELIVERY



AU/NZ **AC410Q**
IT **13458**

Quiet Tandem 2 Cylinder
CAD/CAM Compressor



AU/NZ **AC410Q1-P**
IT **13455**

Quiet Tandem 2 Cylinder
CAD/CAM Compressor



AU/NZ **AC610**
IT **13513**

Tandem 3 Cylinder
CAD/CAM Compressor



AU/NZ **AC610Q**
IT **13558**

Quiet Tandem 3 Cylinder
CAD/CAM Compressor

	KAC410Q	KAC410Q-1P	KAC610	K-AC610Q
ITEM CODE	K-AC410Q	K-AC410Q-1P	K-AC610	K-AC610Q
NO. OF CHAIRS	N/A	N/A	N/A	N/A
POWER	3PH 400V 7.4A 3KW	1PH 230V 15.4A 2.4KW	3PH 400V 7.4A 3KW	3PH 400V 7.4A 3KW
HEIGHT MM	890	890	890	1040
WIDTH MM	1160	1160	1320	1320
DEPTH MM	650	650	590	770
WEIGHT KG	135	135	137	169
SOUND OUTPUT dB(A)	63.8	63.8	74	70.4
MAX AIR FLOW AT 8 BAR NL/min	215	215	330	330
TANK SIZE (LITRES)	100	100	150	150
COST (EX GST)	\$18,363.00	\$18,363.00	\$16,705.00	\$21,205.00
COST (INC GST)	\$20,199.30	\$20,199.30	\$18,375.50	\$23,325.50

Indent item

Indent item

Indent item

Indent item

All CAD/CAM range compressors are available with pre-filters for humid environments upon request.

CAD/CAM COMPRESSOR SPECIFICATIONS AND PRICES



7 YEAR WARRANTY



OIL FREE



LOW NOISE FOR "Q" RANGE



DRY AIR DELIVERY



AU/NZ AC910
IT 13578

Triple 3 Cylinder CAD/CAM Compressor

	KAC9100
ITEM CODE	K-AC9100
NO. OF CHAIRS	N/A
POWER	3PH 400V 11.1A 4.5KW
HEIGHT MM	1000
WIDTH MM	1800
DEPTH MM	810
WEIGHT KG	260
SOUND OUTPUT dB(A)	75
MAX AIR FLOW AT 8 BAR NL/min	495
TANK SIZE (LITRES)	300
COST (EX GST)	\$27,741.50
COST (INC GST)	\$30,515.65

Indent item

All CAD/CAM range compressors are available with pre-filters for humid environments upon request.

COMPRESSOR ACCESSORIES

ACOUSTIC CABINET FOR AC100, AC200 AND AC300

For indoor and outdoor use. The box is made using electro-galvanised metal plate and epoxy-polyester powders that can withstand rain and direct sunlight in hot and cold climates. Reduces noise of compressors to:

AC100 – 50 dB(A)
AC200 – 51 dB(A)
AC300 – 51 dB(A)

	K-010800
ITEM CODE	K-010800
HEIGHT MM	887
WIDTH MM	870
DEPTH MM	700
WEIGHT KG	84
COST (EX GST)	\$3,873.00
COST (INC GST)	\$4,260.30



COMPRESSOR PARALLEL CONNECTION KIT

DRK 2000 – 2 x AC100 or AC200

DRK 3000 – 2 x AC300



	D-RK2000	D-RK3000
ITEM CODE	D-RK2000	D-RK3000
COST (EX GST)	\$1,230.00	\$1,230.00
COST (INC GST)	\$1,353.00	\$1,353.00

DRYER PRE FILTER (FOR HUMID CLIMATES) KIT FOR COMPRESSOR

Fitted between the condenser and the desiccant dryer, and removes a percentage of condensation from the air before reaching the dryer.

Can be easily retro-fitted to existing compressors. (1 filter required per desiccant dryer, therefore 2 filters required for AC400 and AC600 etc).



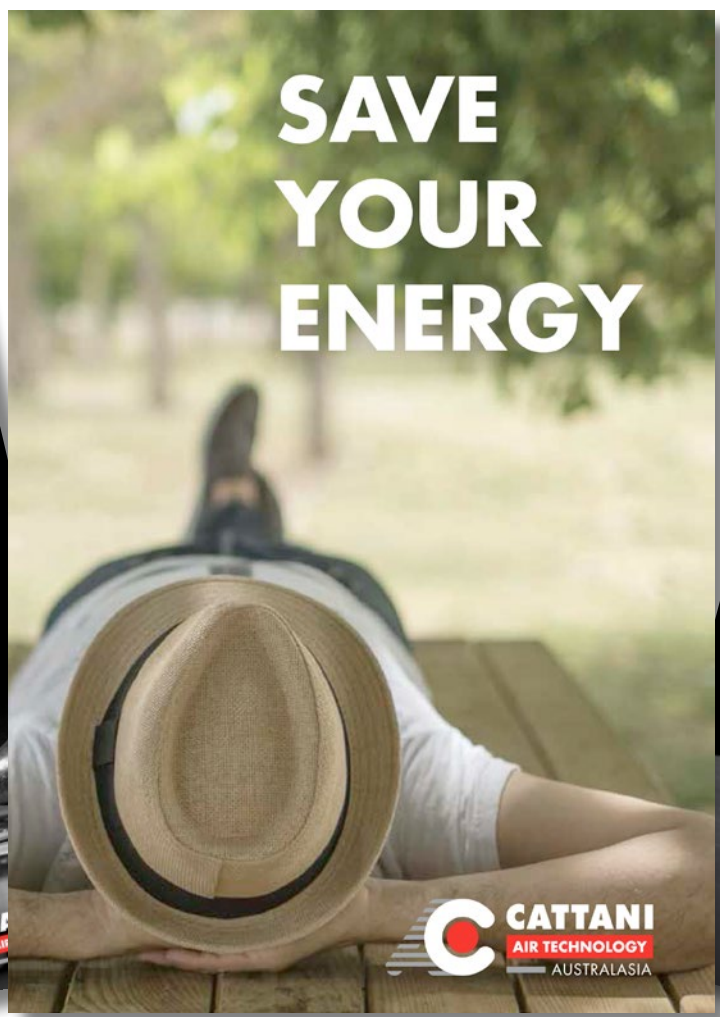
	K-E10000
ITEM CODE	K-E10000
COST (EX GST)	\$550.00
COST (INC GST)	\$605.00

VENTILATION FAN KITS

Recommendations –
100 m³/hr for each kW of equipment installed.
250 & 500 kits include fan, ducting and vent cover.
800 includes fan only.



	L-TD2500-KIT	L-TD5000-150	L-TD8000
ITEM CODE	L-TD2500-KIT	L-TD5000-150	L-TD8000
COST (EX GST)	\$765.50	\$1,148.50	\$1,312.50
COST (INC GST)	\$842.05	\$1,263.35	\$1,443.75





SUCTION SYSTEMS

SMART SUCTION



Save your energy

Cattani SMART Suction Systems use variable frequency inverter technology, also known as Variable Speed Drive (VSD), designed to provide consistent, high-performance suction while reducing energy costs.

Economical inverter technology – With this inverter technology, pioneered by Cattani, energy consumption drops significantly – and so do your energy costs. There is no wasted energy, and no unwanted fluctuations in air flow common to other systems.

Smart technology – The inverter control senses the real-time requirements of your practice, from the number of chairs in use right down to size of suction tip and amount of fluid being aspirated, and adjusts the unit speed and output accordingly.

Just quietly – Cattani's Cube range of suction systems cut perceived noise by half, and these machines are even more economical than our already efficient SMART range.

Get SMART online – You can monitor and manage your Cattani SMART suction equipment using special smartphone apps. And a remote alarm system can also be activated by your machine.

Flexible – There is a system configuration for every need, from a single chair up to hospital and university set-ups. "Plug and play" parallel installation also provides built-in redundancy to protect surgery workflow.

Amalgam retention – Cattani is a world leader in protecting the environment through amalgam retention for recycling. The Hydrocyclone has a retention rate of more than 98% and costs nothing to run. It can be retro-fitted.

3-year warranty – We stand by our products, and nothing says reliability like an industry-leading warranty on our SMART suction units.

For advice on site requirements and the installation of Cattani equipment, please go to Equipment Installation on page 84.

Indent Items: Some products are available only on request. Please allow 14-16 weeks for delivery of these indent items. Such items are subject to a 15% deposit and cannot be returned for credit.

WHAT IS INVERTER CONTROL?



SMART by name, smart by design

Traditional suction motors have a fixed speed that makes them less efficient: when just a small number of chairs are in use, energy consumption remains constantly high. Cattani pioneered the use of inverter technology in dental suction equipment, solving this waste energy problem.

Tell me what the inverter does in technical language

OK. The variable frequency inverter or drive (VFD) controls the rotational speed of the AC (alternating current) electric motor by controlling the electrical frequency (Hz) supplied to the motor. A variable frequency inverter is also known as a variable speed drive (VSD).

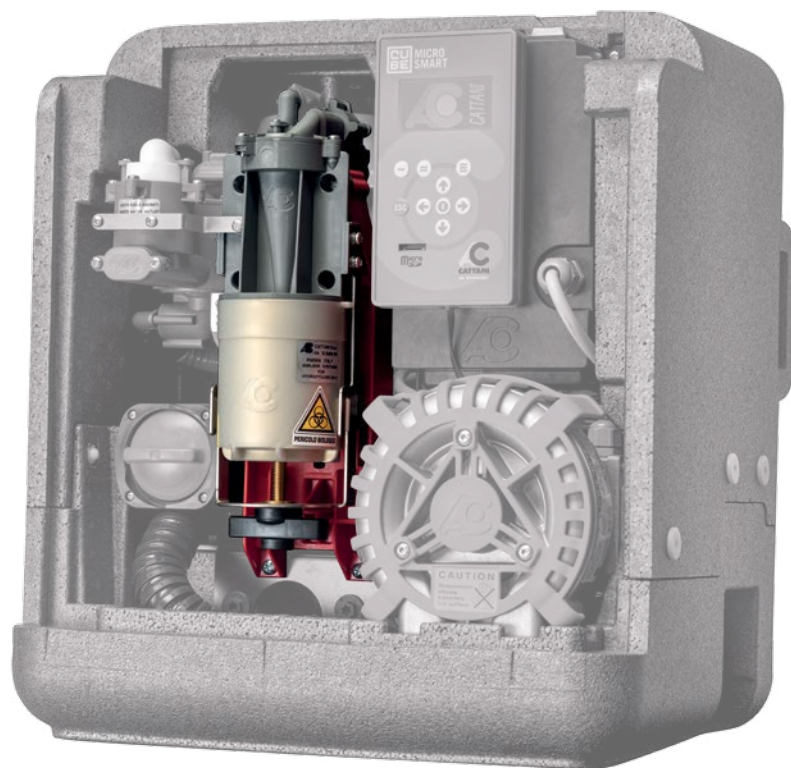
Cattani suction units always know what's going on

Inverter control uses sensors to measure demand for suction and adjusts the motor's performance accordingly. In this way, Cattani SMART units always draw the optimal amount of air and use only the energy required. Sensors also monitor performance, detecting and reporting unusual changes.

Built-in redundancy keeps your practice running

Thanks to inverter technology, installing parallel SMART suction systems and have them "talk" to each other is simple. You can easily expand clinic capacity, with built-in redundancy to ensure the clinic keeps running no matter what.

AMALGAM RETENTION



The Cattani Hydrocyclone

The recycling of amalgam is an important dental issue and one that Cattani has been at the forefront in addressing. We offer the option of amalgam retention that fully integrates with all of our SMART suction systems, in the form of the Cattani Hydrocyclone.

The Hydrocyclone is a simple and effective concept that uses the fluid pressure created by the suction system to separate and retain amalgam, all without the need for moving parts. Fluids enter the hydrocyclonic cone and are forced downward in a spiral motion. When the fluids hit the base of the Hydrocyclone they are forced to make a rapid inversion, while the heavier amalgam particles fall into a collection canister. The retention rate of 98% or more complies with ISO 11143.

The Hydrocyclone has no effect on power consumption or noise levels, nor does it require any additional space.

Cattani SMART suction units can easily be retro-fitted with Hydrocyclones at any stage. The process is carried out on-site by a trained technician and takes less than an hour, so we will have you back up and running in no time.

Efficient collection and replacement of canisters is also very simple. Cattani has an arrangement with specialist recycling company Ecocycle. Contact Ecocycle directly when you need to arrange your canister collection:

AU: 1300 32 62 92

NZ: 0800 732 922

ISO 6 and ISO 18 Hydrocyclone specs and prices: Pages 77-78.

SMART SUCTION RANGE



PAGE 26

CMT0000



1-2 CHAIRS



PAGE 26

CMH0000
035060



1-2 CHAIRS



PAGE 27

C100000
035105



2-3 CHAIRS



PAGE 27

C1A0000
035115



2-3 CHAIRS



PAGE 28

C200000



4 CHAIRS



PAGE 28

C2A0000



4 CHAIRS



PAGE 29

CMTM000



4 CHAIRS



PAGE 29

CMHTM00



4 CHAIRS



PAGE 30

C1TM000



5 CHAIRS



PAGE 30

C1ATM00



5 CHAIRS



PAGE 30

C2TM000



8 CHAIRS



PAGE 30

C2ATM00



8 CHAIRS

SMART CUBE

Half as loud

Suction units make their fair share of noise but we can't run a practice without them. Cattani's SMART Cube suction range is a fine example of what can be achieved with noise reduction and other efficiencies.

Cattani's engineers have been able to cut perceived noise by half with the Cube's acoustic housing. The Cube's compact design also has the major benefit of even greater efficiency – which translates into lower running costs. And with inverter (variable speed drive) technology part of the package, energy savings are a given with SMART Cube.

With the full range of benefits, SMART Cube promises peace and quiet, and peace of mind:

- Acoustic housing cuts perceived noise by 50%
- Inverter control slashes energy consumption
- Compact, all-in-one design
- Consistent vacuum performance
- Generous 3-year parts and labour warranty
- Easy to add parallel units
- Amalgam retention optional
- Unrivalled technical service back-up

Your SMART Cube comes in three sizes:

- Micro SMART Cube for 1-2 chairs
- Turbo SMART A Cube for 2-3 chairs
- Turbo SMART B Cube for 2-4 chairs



PAGE 26

C400000
035031
1-2 CHAIRS



PAGE 26

C4A0000
035030
1-2 CHAIRS



PAGE 27

C1C0000
035121
2-3 CHAIRS



PAGE 27

C1AC000
035120
2-3 CHAIRS



PAGE 28

C2C0000
4 CHAIRS



PAGE 28

C2AC000
4 CHAIRS



SMART SUCTION SPECIFICATIONS AND PRICES – MICRO SMART



3 YEAR WARRANTY



INVERTER CONTROL



LOW NOISE FOR CUBE RANGE



HYDROCYCLONE AVAILABLE



AU/NZ **CMT0000**

Micro SMART with Keypad



AU/NZ **CMH0000**
IT **035060**

Micro SMART with ISO 6 Hydrocyclone



AU/NZ **C400000**
IT **035031**

Micro SMART Cube



AU/NZ **C4A0000**
IT **035030**

Micro SMART Cube with ISO 6 Hydrocyclone

	CMT0000	CMH0000	C400000	C4A0000
ITEM CODE	C-MT0000	C-MH0000	C-400000	C-4A0000
NO. OF CHAIRS	1-2	1-2	1-2	1-2
POWER	1PH 8A 1.12KW	1PH 8A 1.12KW	1PH 4A 230V 0.9KW	1PH 4A 230V 0.9KW
HEIGHT MM	600	600	470	470
WIDTH MM	380	380	420	420
DEPTH MM	350	350	350	350
WEIGHT KG	33	33	31	31
SOUND OUTPUT dB(A)	64	64	59	59
MAX AIR FLOW U/min	900	900	1000	1000
MAX VACUUM FOR CONTINUOUS OPERATION mBar	210	210	210	210
HYDROCYCLONE AMALGAM RETENTION	NO	YES	NO	YES
COST (EX GST)	\$6,357.00	\$6,857.00	\$7,057.00	\$7,557.00
COST (INC GST)	\$6,992.70	\$7,542.70	\$7,762.70	\$8,312.70

SMART SUCTION SPECIFICATIONS AND PRICES – TURBO SMART



3 YEAR WARRANTY



INVERTER CONTROL



LOW NOISE FOR CUBE RANGE



HYDROCYCLONE AVAILABLE



AU/NZ **C100000**
IT **035105**

Turbo SMART A



AU/NZ **C1A0000**
IT **035115**

Turbo SMART A with ISO 18 Hydrocyclone



AU/NZ **C1C0000**
IT **035121**

Turbo SMART A Cube



AU/NZ **C1AC000**
IT **035120**

Turbo SMART A Cube with ISO 18 Hydrocyclone

	C100000	C1A0000	C1C0000	C1AC000
ITEM CODE	C-100000	C-1A0000	C-1C0000	C-1AC000
NO. OF CHAIRS	2-3	2-3	2-3	2-3
POWER	1PH 7A 1.22KW	1PH 7A 1.22KW	1PH 5.5A 1.2KW	1PH 5.5A 1.2KW
HEIGHT MM	645	645	650	650
WIDTH MM	400	400	500	500
DEPTH MM	330	330	370	370
WEIGHT KG	49	50	43	44
SOUND OUTPUT dB(A)	69	69	60	60
MAX AIR FLOW l/min	1400	1400	1400	1400
MAX VACUUM FOR CONTINUOUS OPERATION mBar	210	210	200	200
HYDROCYCLONE AMALGAM RETENTION	NO	YES	NO	YES
COST (EX GST)	\$8,715.00	\$9,215.50	\$9,565.50	\$10,065.50
COST (INC GST)	\$9,586.50	\$10,137.05	\$10,522.05	\$11,072.05

SMART SUCTION SPECIFICATIONS AND PRICES – TURBO SMART



3 YEAR WARRANTY



INVERTER CONTROL



LOW NOISE FOR CUBE RANGE



HYDROCYCLONE AVAILABLE

AU/NZ **C200000**

Turbo SMART B

AU/NZ **C2A0000**Turbo SMART B with
ISO 18 HydrocycloneAU/NZ **C2C0000**

Turbo SMART B Cube

AU/NZ **C2AC000**Turbo SMART B Cube with
ISO 18 Hydrocyclone

	C200000	C2A0000	C2C0000	C2AC000
ITEM CODE	C-200000	C-2A0000	C-2C0000	C-2AC000
NO. OF CHAIRS	4	4	4	4
POWER	1PH 9A 1.5KW	1PH 9A 1.5KW	1PH 7A 1.6KW	1PH 7A 1.6KW
HEIGHT MM	645	645	650	650
WIDTH MM	400	400	500	500
DEPTH MM	330	330	370	370
WEIGHT KG	50	50	44	44
SOUND OUTPUT dB(A)	73.7	73.7	60	60
MAX AIR FLOW l/min	1750	1750	1700	1700
MAX VACUUM FOR CONTINUOUS OPERATION mBar	210	210	200	200
HYDROCYCLONE AMALGAM RETENTION	NO	YES	NO	YES
COST (EX GST)	\$9,900.00	\$10,400.00	\$10,750.00	\$11,250.00
COST (INC GST)	\$10,890.00	\$11,440.00	\$11,825.00	\$12,375.00

SMART SUCTION SPECIFICATIONS AND PRICES – TURBO SMART, TANDEM MICRO SMART



3 YEAR WARRANTY



INVERTER CONTROL



HYDROCYCLONE AVAILABLE



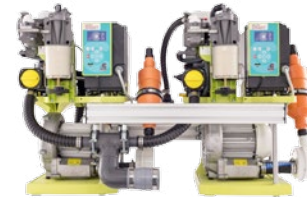
CTS2VNH
35130

Turbo SMART B 2V



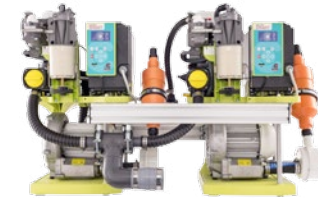
CTS2V00
35135

Turbo SMART B 2V with
ISO 18 Hydrocyclone



CMTM000

Tandem Micro SMART



CMHTM00

Tandem Micro SMART with
ISO 6 Hydrocyclone

	CTS2VNH
ITEM CODE	C-TS2VNH
NO. OF CHAIRS	4
POWER	1PH 9A 1.5kW
HEIGHT MM	650
WIDTH MM	540
DEPTH MM	400
WEIGHT KG	41
SOUND OUTPUT dB(A)	70
MAX AIR FLOW U/min	1700
MAX VACUUM FOR CONTINUOUS OPERATION mBar	280
HYDROCYCLONE AMALGAM RETENTION	NO
COST (EX GST)	\$10,698.00
COST (INC GST)	\$11,767.80

	CTS2V00
ITEM CODE	C-TS2V00
NO. OF CHAIRS	4
POWER	1PH 9A 1.5kW
HEIGHT MM	650
WIDTH MM	540
DEPTH MM	400
WEIGHT KG	43
SOUND OUTPUT dB(A)	70
MAX AIR FLOW U/min	1700
MAX VACUUM FOR CONTINUOUS OPERATION mBar	280
HYDROCYCLONE AMALGAM RETENTION	YES
COST (EX GST)	\$11,198.00
COST (INC GST)	\$12,317.80

	CMTM000
ITEM CODE	C-MTM000
NO. OF CHAIRS	4
POWER	1PH 2 X 6.3A 1.3KW 2X10A POWER OUTLETS REQUIRED
HEIGHT MM	600
WIDTH MM	1,030
DEPTH MM	640
WEIGHT KG	50
SOUND OUTPUT dB(A)	67-74
MAX AIR FLOW U/min	1824
MAX VACUUM FOR CONTINUOUS OPERATION mBar	210
HYDROCYCLONE AMALGAM RETENTION	NO
COST (EX GST)	\$14,453.00
COST (INC GST)	\$15,898.30

	CMHTM00
ITEM CODE	C-MHTM00
NO. OF CHAIRS	4
POWER	1PH 2 X 6.3A 1.3KW 2X10A POWER OUTLETS REQUIRED
HEIGHT MM	600
WIDTH MM	1,030
DEPTH MM	640
WEIGHT KG	50
SOUND OUTPUT dB(A)	67-74
MAX AIR FLOW U/min	1824
MAX VACUUM FOR CONTINUOUS OPERATION mBar	210
HYDROCYCLONE AMALGAM RETENTION	YES
COST (EX GST)	\$15,453.00
COST (INC GST)	\$16,998.30

C-TMSKIT

Frame kit for
Tandem Micro SMART

COST (EX GST)	
COST (INC GST)	

COST (EX GST)	\$1,407.00
COST (INC GST)	\$1,547.70

SMART SUCTION SPECIFICATIONS AND PRICES – TANDEM TURBO SMART



3 YEAR WARRANTY



INVERTER CONTROL



HYDROCYCLONE AVAILABLE



C1TM000

Tandem Turbo SMART A



C1ATM00

Tandem Turbo SMART A with
2 x ISO 18 Hydrocyclone



C2TM000

Tandem Turbo SMART B



C2ATM00

Tandem Turbo SMART B with
2 x ISO 18 Hydrocyclones

	C1TM000	C1ATM00	C2TM000	C2ATM00
ITEM CODE	C-1TM000	C-1ATM00	C-2TM000	C-2ATM00
NO. OF CHAIRS	5	5	8	8
POWER	1PH 2 X 7A 1.45KW 2X10A POWER OUTLETS REQUIRED	1PH 2 X 7A 1.45KW 2X10A POWER OUTLETS REQUIRED	1PH 2X9A 1.87KW 2X10A POWER OUTLETS REQUIRED	1PH 2X9A 1.87KW 2X10A POWER OUTLETS REQUIRED
HEIGHT MM	740	740	740	740
WIDTH MM	1250	1250	1250	1250
DEPTH MM	760	760	760	760
WEIGHT KG	85	85	85	85
SOUND OUTPUT dB(A)	72	72	76.7	76.7
MAX AIR FLOW l/min	2860	2860	3500	3500
MAX VACUUM FOR CONTINUOUS OPERATION mBar	210	210	210	210
HYDROCYCLONE AMALGAM RETENTION	NO	YES	NO	YES
COST (EX GST)	\$19,842.50	\$20,842.50	\$21,985.00	\$22,985.00
COST (INC GST)	\$21,826.75	\$22,926.75	\$24,183.50	\$25,283.50

C-1TMKIT

Frame kit for
Tandem Turbo SMART

COST (EX GST)	\$2,896.50
COST (INC GST)	\$3,186.15

LARGE INSTALLATIONS

Multi-SMART – 12-20 chairs

Multi-SMART systems are purpose-built for large installations, providing optimal suction for 12 to 20 chairs. Multi-SMARTS are assembled in parallel, and thanks to inverter technology provide steady and reliable air flow, with built-in redundancy.

Installation of Multi-SMARTS, whether a T3 (12 chairs), T4 (16 chairs) or T5 (20 chairs), is a simple process, with easy access for future maintenance.

Maxi-SMART – 20-60 chairs

A single Maxi-SMART unit will supply all the suction needs for up to 15 chairs, but they are designed to be installed as a modular system, in pairs, with the potential to serve 60 or more chairs. The system units are activated sequentially, depending on suction demand.

Maxi-SMARTS are supplied in kit form, with all interconnecting components necessary for parallel installation.



PAGE 32

C23V000



12 CHAIRS



PAGE 32

C2A3V00



12 CHAIRS



PAGE 32

C24V000



16 CHAIRS



PAGE 32

C2A4V00



16 CHAIRS



PAGE 33

C25V000



20 CHAIRS



PAGE 33

C2A5V00



20 CHAIRS



PAGE 33

C3A0000
035210



12+ CHAIRS



PAGE 33

C3AAC00
035215



12+ CHAIRS

LARGE INSTALLATIONS SPECIFICATIONS AND PRICES – MULTI SMART



3 YEAR WARRANTY



INVERTER CONTROL



HYDROCYCLONE AVAILABLE



C23V000

Multi SMART T3



C2A3V00

Multi SMART T3 with ISO 18 Hydrocyclone



C24V000

Multi SMART T4



C2A4V00

Multi SMART T4 with ISO 18 Hydrocyclone

	C23V000	C2A3V00	C24V000	C2A4V00
ITEM CODE	C-23V000	C-2A3V00	C-24V000	C-2A4V00
NO. OF CHAIRS	12	12	16	16
POWER	4 X 1PH 240V 9A 1.87 KW	4 X 1PH 240V 9A 1.87 KW	5 X 1PH 240V 9A 1.87 KW	5 X 1PH 240V 9A 1.87 KW
HEIGHT MM	1660	1660	1660	1660
WIDTH MM	1000	1000	1300	1300
DEPTH MM	750	750	750	750
WEIGHT KG	148	148	184	184
SOUND OUTPUT dB(A)	78.5	78.5	79.7	79.7
MAX AIR FLOW l/min	5100	5100	6800	6800
MAX VACUUM FOR CONTINUOUS OPERATION mBar	210	210	210	210
HYDROCYCLONE AMALGAM RETENTION	NO	YES	NO	YES
COST (EX GST)	\$43,163.50	\$46,278.00	\$56,659.50	\$60,811.50
COST (INC GST)	\$47,479.85	\$50,905.80	\$62,325.45	\$66,892.65

Indent item

C23VHFO

Units with H14 Filtration

Indent item

C2A3VHF

Units with H14 Filtration

Indent item

C24VHFO

Units with H14 Filtration

Indent item

C2A4VHF

Units with H14 Filtration

COST (EX GST)	\$46,521.00	\$57,464.00	\$61,480.00	\$65,776.00
COST (INC GST)	\$51,173.10	\$63,210.40	\$67,628.00	\$72,353.60

CONTENTS

LARGE INSTALLATIONS SPECIFICATIONS AND PRICES – MULTI SMART, MAXI SMART



3 YEAR WARRANTY



INVERTER CONTROL



HYDROCYCLONE AVAILABLE



C25V000

Multi SMART T5



C2A5V00

Multi SMART T5 with ISO 18 Hydrocyclone



C3A0000
035210

Maxi SMART with ISO 60 Hydrocyclone



C3AAC00
035215

Maxi SMART with ISO 60 Hydrocyclone and Acoustic Cover

	C25V000
ITEM CODE	C-25V000
NO. OF CHAIRS	20
POWER	6X 1PH 240V 9A 1.87KW
HEIGHT MM	1660
WIDTH MM	1600
DEPTH MM	750
WEIGHT KG	220
SOUND OUTPUT dB(A)	80.7
MAX AIR FLOW l/min	8500
MAX VACUUM FOR CONTINUOUS OPERATION mBar	210
HYDROCYCLONE AMALGAM RETENTION	NO
COST (EX GST)	\$67,729.00
COST (INC GST)	\$74,501.90

	C2A5V00
ITEM CODE	C-2A5V00
NO. OF CHAIRS	20
POWER	6X 1PH 240V 9A 1.87KW
HEIGHT MM	1660
WIDTH MM	1600
DEPTH MM	750
WEIGHT KG	220
SOUND OUTPUT dB(A)	80.7
MAX AIR FLOW l/min	8500
MAX VACUUM FOR CONTINUOUS OPERATION mBar	210
HYDROCYCLONE AMALGAM RETENTION	YES
COST (EX GST)	\$72,995.50
COST (INC GST)	\$80,295.05

	C3A0000
ITEM CODE	C-3A0000
NO. OF CHAIRS	12-15
POWER	3PH 400V 25A 11.8KW
HEIGHT MM	1490
WIDTH MM	708
DEPTH MM	1037
WEIGHT KG	215
SOUND OUTPUT dB(A)	77
MAX AIR FLOW l/min	5000
MAX VACUUM FOR CONTINUOUS OPERATION mBar	240
HYDROCYCLONE AMALGAM RETENTION	YES
COST (EX GST)	\$39,284.50
COST (INC GST)	\$43,212.95

	C3AAC00
ITEM CODE	C-3AAC00
NO. OF CHAIRS	12-15
POWER	3PH 400V 25A 11.8KW
HEIGHT MM	1490
WIDTH MM	708
DEPTH MM	1037
WEIGHT KG	270
SOUND OUTPUT dB(A)	68
MAX AIR FLOW l/min	5000
MAX VACUUM FOR CONTINUOUS OPERATION mBar	240
HYDROCYCLONE AMALGAM RETENTION	YES
COST (EX GST)	\$44,639.50
COST (INC GST)	\$49,103.45

Indent item

C25VHF0

Units with H14 Filtration

COST (EX GST)	\$73,202.50
COST (INC GST)	\$80,522.75

Indent item

C2A5VHF

Units with H14 Filtration

COST (EX GST)	\$83,375.50
COST (INC GST)	\$91,713.05

Indent item

Indent item

Maxi SMART is designed as a modular system to be connected in parallel, not to operate as a single unit.

Capacity per unit: 12 chairs if the unit is installed on the same level; 15 chairs if the unit is on the level below.

PLANT ROOM SOLUTIONS

Simple, effective ways to overcome challenges of limited space

Space is valuable and in many practices strictly limited. There can also be issues with noise upsetting staff, patients and even neighbours. Cattani understands that, so provides compact solutions in a variety of configurations and sound-reducing options that can even do away with the need for a plant room entirely.

Blok-Jet Silent 2 – the self-contained plant solution for up to four chairs

The Blok-Jet Silent 2 solution is to stack the units inside their own cabinet. It can service up to four chairs and is ultra-quiet, so is an excellent option when mitigating noise is a priority. The cabinet has a very small footprint and stands on caster wheels, so is easy to position and service.



Blok-Jet Silent 2 must be installed inside the clinic, with an ambient temperature of no more than 28°C. It requires 2 x 10 amp single phase power supplies.

- Serves up to four chairs
- Contains Turbo SMART B and AC300
- Compact – the size of a fridge
- Ultra-quiet
- Mobile – it stands on lockable wheels
- Cabinet doors also lockable
- External display panel shows compressor and suction status

Indent Items: Some products are available only on request. Please allow 14-16 weeks for delivery of these indent items. Such items are subject to a 15% deposit and cannot be returned for credit.

Vento – the ultimate space saver for up to eight chairs

Designed and developed by Cattani Australia, the Vento approach is to stack the suction unit and the compressor on a special frame, halving the floor space. This is the perfect plant configuration for practices in shopping centres where space is tight and a dedicated plant room is a luxury. Instead, the Vento can easily fit into a ventilated cupboard.

Vento is normally designed to service up to eight chairs but it is very adaptable and Cattani can customise configurations on request. Just tell the Cattani experts what your requirements are and it is very likely these can be met. Units with acoustic hoods are also available.

Vento can incorporate:

- Micro SMART
- Turbo SMART
- Noise-reducing SMART Cube suction units
- Our entire compressor range, including CAD/CAM
- Acoustic compressor hoods
- Amalgam retention

Please refer to the relevant compressor and suction pages of this catalogue for individual unit specifications, accessories and spare parts.



CVC1A20

SMART Vento
with C1A & AC200



CVC2A30

SMART Vento Trio
with C2A & AC300



CVTC1A4

SMART Vento Duo Tandem
with C1A & AC400

CVTC2A5

SMART Vento Trio Tandem
with C2A & AC600

	DUO	TRIO	DUO TANDEM	TRIO TANDEM
ITEM CODE	C-VC1A20	C-VC2A30	C-VTC1A4	C-VTC2A5
COMPRESSOR	AC200	AC300	AC400	AC600
SUCTION	TURBO SMART A	TURBO SMART B	TANDEM TURBO SMART A	TANDEM TURBO SMART B
NO. OF CHAIRS	2	3-4	5	UP TO 8
HEIGHT MM	1540	1570	1695	1840
WIDTH MM	695	695	1280	1280
DEPTH MM	490	490	600	600
COST (EX GST)	\$17,934.50	\$20,735.00	\$36,487.00	\$41,745.00
COST (INC GST)	\$19,727.95	\$22,808.50	\$40,135.70	\$45,919.50

JVT0000

Frame for SMART
Vento Duo & Trio

JCSITS

Frame for Tandem
Vento Duo and Trio (AC400/AC600)

COST (EX GST)	\$1,618.50	\$1,979.00
COST (INC GST)	\$1,780.35	\$2,176.90

BLOK-JET SILENT 2

Please refer to the relevant compressor and suction pages of this catalogue for individual unit specifications, accessories and spare parts.

AU/NZ **CBJS400**
IT **073525**

BLOK-JET Silent 2 AC300 Compressor
& Turbo SMART B with Hydrocyclone

BLOK-JET SILENT 2	
ITEM CODE	C-BJS400
COMPRESSOR	AC300
SUCTION	TURBO SMART B
NO. OF CHAIRS	3-4
HEIGHT MM	1935
WIDTH MM	760
DEPTH MM	650
COST (EX GST)	\$29,950.00
COST (INC GST)	\$32,945.00

Indent item





CLASSIC SUCTION

Proven Cattani technology

Dry Suction – built to last

Cattani dry suction motors deliver high volume and appropriate vacuum, even with a large suction tip. Our separators and vacuum relief valves are all you need if dry suction is your preferred option.

Cattani dry suction motors are made from quality materials, and built to last. The machines are incredibly easy to operate and the mechanics and circuitry are easy to maintain:

- Sizes for anything from one surgery to seven
- Single or three-phase, depending on the unit
- “Plug and play” technology
- Acoustic covers available if noise is a concern
- Units designed to be installed close to the dental unit

Aspi-Jet – your mobile, all-in-one suction system

If you need a simple, safe and mobile chairside aspirator for a single chair, Aspi-Jet is for you – just plug it in and turn it on. Aspi-Jet is designed for continuous use and reliable high flow, medium vacuum and effective air/fluid separation. Aspi-Jet is on wheels for easy transfer from surgery to surgery. It is a handy back-up system and a good option where it is difficult to get plumbing to the dental unit.

Aspi-Jet uses simple, proven technology and is made from quality materials:

- Robust Uni-Jet 75 motor
- Maximum negative pressure 130 mBar
- Maximum air flow rate 1250 l/min
- Bacterial exhaust filter optional
- Foam-lined cabinet for quietness
- Superior design, mechanical precision, quality components
- Four models to choose from, including manual drain and auto-drain

Turbo-Jet – simply safe suction

Turbo-Jet is a powerful and effective aspiration and air/fluid separation single-chair system that is made for continuous use. Turbo-Jet uses simple, proven concepts in its mechanics and circuitry, so is easy to operate and maintain. Acoustic covers are available if noise is a concern.

Turbo-Jet comes in a variety of configurations and is small enough to fit into a ventilated cupboard close to the dental chair, while the separator may be placed close to the chair. With proper care and simple maintenance, Turbo-Jet will give many years of reliable service.

- Robust Uni-Jet 75 suction motor
- Centrifugal pump
- High flow, medium vacuum performance
- Maximum negative pressure 160 mBar
- Maximum air flow rate 650 l/min
- Automatic drainage
- Amalgam separator optional
- Bacterial exhaust filter optional
- Acoustic cover optional



Indent Items: Some products are available only on request. Please allow 14-16 weeks for delivery of these indent items. Such items are subject to a 15% deposit and cannot be returned for credit.



PAGE 41

C002300
20322
1 CHAIR



PAGE 41

C0023V0
1 CHAIR





PAGE 41

C006900
46759
2-3 CHAIRS



PAGE 41

C0069V0
2-3 CHAIRS





PAGE 42

C014000
48137
4 CHAIRS



PAGE 42

C014V00
4 CHAIRS





PAGE 42

CA00150
61503
7 CHAIRS



PAGE 42

CA0015V
20930
7 CHAIRS





PAGE 43

C004700
20274
1 CHAIR


 



PAGE 43

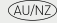
C009800
20276
1 CHAIR



PAGE 43

C0016A0
C0016A



PAGE 43

C0016D0
020998

CLASSIC SUCTION RANGE



PAGE 44

C000600
010010
1 CHAIR



PAGE 44

C000700
1 CHAIR



PAGE 44

C000800
1 CHAIR



PAGE 44

C000900
1 CHAIR



CLASSIC SUCTION SPECIFICATIONS AND PRICES



AU/NZ **C002300**
IT **20322**

Uni Jet 75
Single Phase



AU/NZ **C0023V0**
IT **20372**

Uni Jet 75 2V
Single Phase



AU/NZ **C006900**
IT **46759**

Tecno Jet
Single Phase



AU/NZ **C0069V0**

Tecno Jet 2V
Single Phase

	C002300	C0023V0	C006900	C0069V0
ITEM CODE	C-002300	C-0023V0	C-006900	C-0069V0
NO. OF CHAIRS	1	1	2-3	2-3
POWER	1PH 3.1A 0.42KW	1PH 5.2A 0.7KW	1PH 5.5A 0.75KW	1PH 7.5A 1.1KW
HEIGHT MM	275	275	320	320
WIDTH MM	232	246	310	310
DEPTH MM	246	491	310	550
SOUND OUTPUT dB(A)	62	64	64	65
MAX AIR FLOW l/min	1250	1330	2000	2170
MAX VACUUM FOR CONTINUOUS OPERATION mBar	130	270	140	235
COST (EX GST)	\$1,408.50	\$2,590.50	\$2,309.50	\$3,606.50
COST (INC GST)	\$1,549.35	\$2,849.55	\$2,540.45	\$3,967.15

Indent item

CLASSIC SUCTION SPECIFICATIONS AND PRICES



AU/NZ **C014000**
IT **48137**

Flux Jet 1.1kW
Single Phase



AU/NZ **C014V00**

Flux Jet 2V
3 Phase



AU/NZ **CA00150**
IT **61503**

Medio Jet Blower
3kW 3 Phase



AU/NZ **CA0015V**
20930

Medio Jet 2V
3 Phase

	C014000	C014V00	CA00150	CA0015V
ITEM CODE	C-014000	C-014V00	C-A00150	C-A0015V
NO. OF CHAIRS	4	4	7	7
POWER	1PH 7.6A 1.1KW	3PH 5.2A 2.2KW	3PH 6.8A 3.0KW	3PH 9.0A 4.0KW
HEIGHT MM	350	350	420	420
WIDTH MM	340	340	400	400
DEPTH MM	410	590	335	705
SOUND OUTPUT dB(A)	68.5	72	76	77
MAX AIR FLOW l/min	3700	3330	5000	4830
MAX VACUUM FOR CONTINUOUS OPERATION mBar	150	230	175	245
COST (EX GST)	\$2,842.00	\$5,741.50	\$4,044.00	\$6,175.00
COST (INC GST)	\$3,126.20	\$6,315.65	\$4,448.40	\$6,792.50

Indent item

CLASSIC SUCTION SPECIFICATIONS AND PRICES



AU/NZ C004700
IT 20274

Uni Jet 75
In Cover



AU/NZ C009800
IT 20276

Uni Jet 75
In Cover with Control



AU/NZ C0016A0
IT C0016A

Continuous Suction Separator
with Bracket – Multi Surgery



AU/NZ C0016D0
IT 020998

Continuous Suction Separator
in Cover – Single Surgery

	C004700	C009800	C0016A0	C0016D0
ITEM CODE	C-004700	C-009800	C-0016A0	C-0016D0
NO. OF CHAIRS	1	1		
POWER	1PH 3.1A 0.42KW	1PH 3.1A 0.42KW	24V	24V
HEIGHT MM	330	330	350	350
WIDTH MM	320	320	250	250
DEPTH MM	280	280	100	100
SOUND OUTPUT dB(A)	58	58	-	-
MAX VACUUM FOR CONTINUOUS OPERATION mBar	130	130	-	-
COST (EX GST)	\$2,422.00	\$2,534.00	\$1,746.00	\$2,139.50
COST (INC GST)	\$2,664.20	\$2,787.40	\$1,920.60	\$2,353.45

Indent item

Indent item

AU/NZ C0016AB

Multi Surgery Units without bracket

\$1,634.00

\$1,797.40

AU/NZ C0016B0

Single Surgery Units with bracket

\$1,352.50

\$1,487.75

AU/NZ C0016C0

Multi Surgery Units

\$2,534.00

\$2,787.40

Indent item

COST (EX GST)	
COST (INC GST)	

COST (EX GST)	
COST (INC GST)	

CONTENTS

CLASSIC SUCTION SPECIFICATIONS AND PRICES



AU/NZ **C000600**
IT **10010**

Aspi-Jet 6



AU/NZ **C000700**
IT **10021**

Aspi-Jet 7



AU/NZ **C000800**
IT **10030**

Aspi-Jet 8



AU/NZ **C000900**
IT **10041**

Aspi-Jet 9

	C000600	C000700	C000800	C000900
ITEM CODE	C-000600	C-000700	C-000800	C-000900
NO. OF CHAIRS	1	1	1	1
HEIGHT MM	750	750	750	750
WIDTH MM	325	325	325	325
DEPTH MM	420	420	420	520
SOUND OUTPUT dB(A)	60	60	60	60
MAX AIR FLOW l/min	650	650	650	650
MAX VACUUM FOR CONTINUOUS OPERATION mBar	130	130	130	130
TANK SIZE (LITRES)	4	-	-	-
COST (EX GST)	\$4,391.00	\$4,480.50	\$6,666.50	\$7,650.00
COST (INC GST)	\$4,830.10	\$4,928.55	\$7,333.15	\$8,415.00

Manual drain
4 litre canister capacity

Automatic drain pump
Requires plumbing to waste

Automatic drain pump & cup filler
Requires plumbing to waste
Requires a water supply

Automatic drain pump, cup filler and spittoon
Requires plumbing to waste
Requires a water & air supply

Indent item

Indent item

Indent item

AU/NZ **C0006B0**

Units with Bacterial Filter

COST (EX GST)	\$5,145.00
COST (INC GST)	\$5,659.50

SUCTION ACCESSORIES

SMART AND CLASSIC

SUCTION ACCESSORIES – SMART AND CLASSIC

ISO 6 HYDROCYCLONE RETRO FIT KIT AMALGAM RETENTION FOR MICRO SMART

Does not require any additional space. Integrates into the same dimensions of the unit. ISO 11143 Compliant

Max Flow = 5.5 l/min Min Flow = 0.5 l/min

ITEM CODE	SYSTEM	COST INC GST
C-MR6000	MICRO SMART	\$1,383.80
C-043382	MICRO SMART CUBE	\$1,383.80



ISO 18 HYDROCYCLONE RETRO FIT KIT AMALGAM RETENTION FOR TURBO SMART

Does not require any additional space. Integrates into the same dimensions of the unit. ISO 11143 Compliant

Max Flow = 18 l/min Min Flow = 0.5 l/min

ITEM CODE	SYSTEM	COST INC GST
C-1H0000	TURBO SMART A OR B	\$1,699.50
C-1H3C00	TURBO SMART 3C	\$1,699.50
C-1H3CUB	TURBO SMART CUBE	\$2,179.10



REPLACEMENT AMALGAM CONTAINERS FOR SMART SUCTION SYSTEMS

ECOCYCLE are Cattani's recycling partner. Please contact them for pricing on replacement containers, pick up and recycling services.

ITEM CODE	SYSTEM
C-043132	MICRO SMART
C-043135	TURBO SMART
C-043138	MAXI SMART
C-043130	MODULAR



AU: 1300 32 62 92
NZ: 0800 73 29 22



TRIPLEX SYRINGE HOLDER

Able to be cabinet mounted or to the side of the Pneumatic Tip Support. Includes a range of reducers for different sized syringes.

ITEM CODE	COLOUR	COST INC GST
C-A0028B	BLACK	\$86.35
C-A0028G	GREY	\$86.35
C-A0028W	WHITE	\$86.35



SALIVA EJECTOR HOLDER

Able to be cabinet mounted or to the side of the Pneumatic Tip Support. Includes a micro switch & a range of reducers for different sized hoses.

ITEM CODE	COLOUR	COST INC GST
C-007000	BLACK	\$187.00
C-0070G0	GREY	\$187.00
C-0070W0	WHITE	\$187.00



PASSWORD – UPGRADE TURBO SMART A TO TURBO SMART B

Simply installed by entering via the unit's keypad

Requirements for order: Serial Number – found on I.D. label on chassis. Generated Code – found on label on control panel



ITEM CODE	COST INC GST
C-P00000	\$2,217.60

MANUAL TIP SUPPORT

Three hose hanger with manual closure of terminals. Dimensions (w/o hoses or terminals):
H = 118mm W = 135mm D = 105mm

ITEM CODE	ENTRY SIDE	COLOUR	COST INC GST
C-0011A0	SIDE	BLACK	\$744.70
C-0011B0	REAR	BLACK	\$744.70
C-0011BG	REAR	GREY	\$744.70



EXTENSION SEGMENT ARM – PNEUMATIC

Extension arm for tip supports. Extension lengths do not include the tip support depth.

Single arm extends – Min length = 50mm Max length = 270mm

Two segment arm extends – Min length = 50mm Max length = 470mm

ITEM CODE	ARMS	COST INC GST
C-006000	SINGLE	\$435.60
C-006100	DOUBLE	\$683.65



PNEUMATIC TIP SUPPORT

Two hose hanger with automatic pneumatic closure of terminals. Dimensions (w/o hoses or terminals):
H = 118mm W = 135mm D = 105mm

ITEM CODE	COLOUR	COST INC GST
C-005500	BLACK	\$991.65
C-0055G0	GREY	\$991.65
C-0055W0	WHITE	\$991.65



EXTENSION SEGMENT ARM – MANUAL

Indent item

Available in 1 segment giving 300mm extension or 2 segments giving 500mm extension.

Wall or cabinet mounted.

ITEM CODE	ARMS	COST INC GST
C-040030	SINGLE	\$443.00
C-040050	DOUBLE	\$756.80



PNEUMATIC TIP SUPPORT WITH TRIPLEX HOLDER

Two hose hanger with automatic closure of terminals and triplex holder. Dimensions (w/o hoses or terminals):
H = 118mm W = 148mm D = 105mm

ITEM CODE	COLOUR	COST INC GST
C-552800	BLACK	\$1,054.90
C-5528G0	GREY	\$1,054.90
C-5528W0	WHITE	\$1,054.90

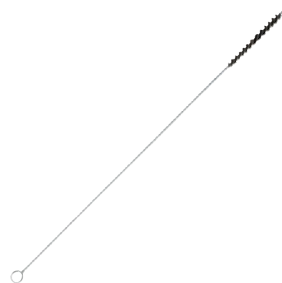


SUCTION ACCESSORIES – SMART AND CLASSIC

CLEANING BRUSH – SMALL

Designed for scrubbing the internal surface of small suction tips prior to autoclaving.

ITEM CODE	QTY	COST INC GST
C-180000	SINGLE	\$10.45
C-180000100	100 PACK	\$619.85



CLEANING BRUSH – LARGE

Designed for scrubbing the internal surface of large suction tips prior to autoclaving.

ITEM CODE	QTY	COST INC GST
C-190000	SINGLE	\$10.45
C-190000100	100 PACK	\$619.85



ADAPTOR FOR SALIVA EJECTOR

Adapts most saliva ejector tips to either the 11mm or 16mm hose terminal.

ITEM CODE	QTY	COLOUR	COST INC GST
C-150000	SINGLE	GREY	\$20.90
C-15000050	50 PACK	GREY	\$558.80
C-1500002X	200 PACK	GREY	\$1,980.00



TIP REDUCERS

Reduces the internal bore diameter of the 17mm hose terminal to 11mm for fitment of 11mm suction tips.

ITEM CODE	QTY	COLOUR	COST INC GST
C-160000	SINGLE	GREY	\$6.05
C-160000100	100 PACK	GREY	\$149.60
C-1600002X	200 PACK	GREY	\$360.00



FUNNEL SPITTOON

Fits into either the 11mm or 17mm hose terminal.

ITEM CODE	QTY	COLOUR	COST INC GST
C-040502	SINGLE	WHITE	\$26.40
C-04050250	50 PACK	WHITE	\$744.70



AIR FLOW METER

ITEM CODE	COST INC GST
C-A87000	\$1,363.45



SILENCER FOR TURBO SMART

L = 440mm Diameter = 100mm
50mm ports



ITEM CODE	COST INC GST
C-160566	\$220.00

SILENCER FOR UNI JET

Reduces noise by approx. 2 dB(A)
L = 400 mm Diameter = 80 mm
30mm ports



ITEM CODE	COST INC GST
C-160562	\$187.00

SILENCER FOR TECNO JET & FLUX JET

Reduces noise by approx. 2 dB(A)
L = 440 mm Diameter = 160 mm
50mm ports



ITEM CODE	COST INC GST
C-160564	\$310.75

SILENCER FOR MEDIO JET

Reduces noise by approx. 2 dB(A)
L = 265 mm Diameter = 90 mm
50mm ports



ITEM CODE	COST INC GST
C-S2S000	\$241.45

BACTERIAL FILTER FOR ASPI & TURBO JET 1&2

Removes bacterial & viral particles down to 0.001 micron.
Filter should be replaced approx. every 6 months.
H = 225 mm Diameter = 140 mm



ITEM CODE	COST INC GST
C-E11024	\$663.30

HEPA H14 FILTER – 4-6 SURGERIES

HEPA H14 Filter (90 m³/h)
H = 230 mm Diameter = 200 mm (plus port protrusion)
65mm port connections. *Replacement Cartridge



ITEM CODE	COST INC GST
C-042090	\$1744.05
C-160540*	\$496.65

HEPA H14 FILTER – 9-12 SURGERIES

HEPA H14 Filter (188 m³/h)
H = 460 mm Diameter = 200 mm (plus port protrusion)
65mm port connections. *Replacement Cartridge



ITEM CODE	COST INC GST
C-042092	\$3,366.55
C-160541*	\$744.70

SUCTION ACCESSORIES – SMART AND CLASSIC

CONVERSION SWITCHING BOX

24V power supply to convert the SMART's 2 wire switching system into a 3 wire system i.e. to provide 24V power to isolation & spittoon drain valves. 30 VA (1.25 Amp). Please ensure that valves that are being powered by this panel do not exceed this rating. Higher powered units available upon request.

ITEM CODE	COST INC GST
D-RZ0000	\$1,563.65



EP SUCTION ISOLATING VALVE

24V isolation valve, for use with all types of suction systems. Dimensions: H = 68mm W = 85mm D = 70mm

ITEM CODE	QTY	COST INC GST
C-0039C0	SINGLE	\$496.65
C-0039C04	4 PACK	\$1,487.75



ALARM PANEL FOR TURBO SMART

Panel to be installed in hi-vis area (i.e. reception). Lamp/s illuminate when when there is an alarm on the SMART suction system. Includes power supply for lamps and mounting plate. Highly recommended for SMART units installed in parallel.

ITEM CODE	LAMPS	COST INC GST
D-RA1000	1	\$1,322.75
D-RA2000	2	\$1,684.10
D-RA3000	3	\$1,322.75
D-RA4000	4	\$1,127.50



MANUAL AIR INJECTOR VALVE FOR TURBO SMART

Designed to be installed at the end of the suction line. Allows air to enter the suction line when it is working at a closed head, keeping fluids flowing.

ITEM CODE	AUTOMATIC	COST INC GST
C-1AIV00	NO	\$181.50



SPITTOON DRAIN VALVE

Automatic valve that connects the spittoon waste to the suction system. Requires 24V AD/DC supply. Valve is activated when fluid is sensed by the electronic level sensing probes. Valve also activates suction system if not already running.

ITEM CODE	MOUNT TYPE	COST INC GST
C-021960	POST BOX	\$806.85
C-021974	UNIVERSAL	\$1,178.65



AUTOMATIC AIR INJECTOR VALVE FOR TURBO SMART

Designed to be installed at the end of the suction line. Allows air to enter the suction line when it is working at a closed head, keeping fluids flowing.

ITEM CODE	AUTOMATIC	COST INC GST
C-AAIV00	YES	\$1,734.70



SUCTION ACCESSORIES – SMART AND CLASSIC

NOTE: If a 25m roll is required, please add "FR" to end of the item code.

SPIRAL HOSE – SMALL SIZES

ITEM CODE	SIZE	COLOUR	COST INC GST
C-110130	11MM	BLACK	\$37.40 PER M, \$576.95 25M ROLL
C-11013G	11MM	GREY	\$37.40 PER M, \$576.95 25M ROLL
C-H14000	14MM	BLACK	\$37.40 PER M, \$576.95 25M ROLL
C-H14G00	14MM	GREY	\$37.40 PER M, \$576.95 25M ROLL
C-110120	17MM	BLACK	\$37.40 PER M, \$576.95 25M ROLL
C-11012G	17MM	GREY	\$37.40 PER M, \$576.95 25M ROLL



SILICONE HOSE

ITEM CODE	SIZE	COLOUR	COST INC GST
C-11013S00G	11MM	GREY	\$63.80 PER M, \$991.65 25M ROLL
C-11013W	11MM	WHITE	\$63.80 PER M, \$991.65 25M ROLL
C-11012S00G	17MM	GREY	\$63.80 PER M, \$991.65 25M ROLL
C-11012W	17MM	WHITE	\$63.80 PER M, \$991.65 25M ROLL



SPIRAL HOSE – MEDIUM SIZES

ITEM CODE	SIZE	COLOUR	COST INC GST
C-H20000	20MM	BLACK	\$52.25 PER M, \$837.65 25M ROLL
C-H20G00	20MM	GREY	\$52.25 PER M, \$837.65 25M ROLL
C-H25000	25MM	BLACK	\$52.25 PER M, \$837.65 25M ROLL
C-H25G00	25MM	GREY	\$52.25 PER M, \$837.65 25M ROLL
C-H25W00	25MM	WHITE	\$52.25 PER M, \$837.65 25M ROLL
C-H30000	30MM	BLACK	\$52.25 PER M, \$837.65 25M ROLL
C-H30G00	30MM	GREY	\$52.25 PER M, \$837.65 25M ROLL



HEAT RESISTANT HOSE FOR SUCTION OR EXHAUST AIR

ITEM CODE	SIZE	COLOUR	COST INC GST
C-H40HR0	40MM	BLACK	\$274.45 PER M
C-H50HR0	50MM	BLACK	\$301.40 PER M
C-H60HR0	60MM	BLACK	\$310.75 PER M
C-H80HR0	80MM	BLACK	\$385.55 PER M



SPIRAL HOSE – LARGE SIZES

ITEM CODE	SIZE	COLOUR	COST INC GST
C-H40000	40MM	BLACK	\$63.80 PER M, \$1,085.70 25M ROLL
C-H40G00	40MM	GREY	\$63.80 PER M, \$1,085.70 25M ROLL
C-H50000	50MM	GREY	\$64.90 PER M
C-H60000	60MM	BLACK	\$72.60 PER M
C-H80000	80MM	BLACK	\$125.95 PER M



HEAT RESISTANT HOSE FOR EXHAUST AIR ONLY

ITEM CODE	SIZE	COLOUR	COST INC GST
C-H30EHR	30MM	BLACK	\$155.65 PER M
C-H40EHR	40MM	BLACK	\$178.20 PER M
C-H50EHR	50MM	BLACK	\$193.05 PER M



SUCTION ACCESSORIES – SMART AND CLASSIC

HOSE TERMINAL – SMALL

ITEM CODE	SIZE	QTY	COLOUR	COST INC GST
C-110150	11MM	SINGLE	BLACK	\$58.30
C-11015010	11MM	10 PACK	BLACK	\$410.30
C-11015G	11MM	SINGLE	GREY	\$58.30
C-11015G10	11MM	10 PACK	GREY	\$410.30
C-11015W	11MM	SINGLE	WHITE	\$58.30
C-11015W10	11MM	10 PACK	WHITE	\$410.30



HOSE TERMINAL – LARGE

ITEM CODE	SIZE	QTY	COLOUR	COST INC GST
C-110140	16MM	SINGLE	BLACK	\$58.30
C-11014010	16MM	10 PACK	BLACK	\$410.30
C-11014G	16MM	SINGLE	GREY	\$58.30
C-11014G10	16MM	10 PACK	GREY	\$410.30
C-11014W	16MM	SINGLE	WHITE	\$58.30
C-11014W10	16MM	10 PACK	WHITE	\$410.30



SUCTION HOSE, TERMINAL & HOSE END CONNECTOR – SMALL

ITEM CODE	SIZE	TYPE	COLOUR	COST INC GST
C-110180	11MM	SPIRAL	BLACK	\$155.65
C-11018G	11MM	SPIRAL	GREY	\$155.65
C-11018B	11MM	SILICONE	BLACK	\$155.65
C-11018S00G	11MM	SILICONE	GREY	\$155.65



SUCTION HOSE, TERMINAL & HOSE END CONNECTOR – LARGE

ITEM CODE	SIZE	TYPE	COLOUR	COST INC GST
C-110170	16MM	SPIRAL	BLACK	\$155.65
C-11017G	16MM	SPIRAL	GREY	\$155.65
C-11017S00G	16MM	SILICONE	GREY	\$155.65



SLIDE CLOSER FOR HOSE TERMINAL

ITEM CODE	SIZE	COLOUR	COST INC GST
C-11015F	11MM	GREY	\$10.45
C-11014F	17MM	GREY	\$10.45



HOSE END CONNECTOR

ITEM CODE	SIZE	COLOUR	COST INC GST
C-203448	11MM	BLACK	\$20.90
C-203470	11MM	GREY	\$20.90
C-203438	11MM	WHITE	\$20.90
C-203449	17MM	BLACK	\$20.90
C-203471	17MM	GREY	\$20.90
C-203439	17MM	WHITE	\$20.90



CONTROL PANELS

Includes off delay timer to avoid rapid stop/starting of the motor. H = 400mm W = 300mm D = 170mm

ITEM CODE	MODEL SUITED	COST INC GST
C-020632	UNI JET 1 PHASE	\$2,353.45
C-020631	TECNO JET 1 PHASE	\$2,353.45
C-020630	FLUX JET 1 PHASE	\$2,353.45
C-021050	ALL 3 PHASE MODELS	\$6,875.00



VACUUM RELIEF VALVE FOR TECNO JET

Limits Max Vacuum so as not to overload the suction motor.

ITEM CODE	COST INC GST
C-A31080	\$249.70



VACUUM RELIEF VALVE FOR FLUX JET

Limits Max Vacuum so as not to overload the suction motor.

ITEM CODE	COST INC GST
C-400870	\$241.45



PRESSURE HEAT RELIEF VALVE FOR FLUX JET 2V

Limits Max Vacuum so as not to overload the suction motor.

ITEM CODE	COST INC GST
C-160640	\$558.80



VACUUM RELIEF VALVE FOR MEDIO JET

Limits Max Vacuum so as not to overload the suction motor.

ITEM CODE	COST INC GST
C-A15490	\$479.60



VACUUM RELIEF VALVE FOR MEDIO JET 2V

Limits Max Vacuum so as not to overload the suction motor.

ITEM CODE	COST INC GST
C-A1549V	\$806.85





CONSUMABLES

CONSUMABLES

CONSUMABLES

Clean your Cattani suction system with Magnolia

Regular cleaning and disinfection of dental suction systems is a vital part of practice life, not only to maintain the system but also to ensure a safe environment for staff and patients.

The Magnolia disinfectant range has been specifically developed by Cattani for use with Cattani suction systems. The use of inferior products, products with harsher formulas, and irregular cleaning cycles can allow bacterial layers to build up. This can impede suction, compromising performance and ultimately damaging machines and systems.

Failure to properly clean, disinfect or maintain systems as per the manufacturer's recommendations may affect the product warranty.

WHEN TO CLEAN

Daily

Disinfect your suction system at the end of every working day using Puli-Jet Gentle aspirated with the Pulse Cleaner container.

After disinfecting the system, wash the filter basket at the dental chair with clean water then lubricate the filter o-ring with Lubri-Jet. Now place an Antifoaming Disinfectant Tablet inside the filter.

Weekly

Clean the suction unit filter once a week, at the end of the working day, with a brush and clean water. Lubricate the filter o-ring with Lubri-Jet.

For detailed maintenance instructions, go to www.cattani.com.au/videos or www.cattani.co.nz/videos.

SUCTION UNIT MAINTENANCE

Point your smartphone camera at this QR code to view our short instructional videos



Magnolia products

Puli-Jet Gentle

Puli-Jet Gentle dissolves blood and mucus and removes scaling from the walls of the aspirator and tubes to prevent bacterial build-up. This is a commercial grade disinfectant for semi-wet, wet and dry suction systems. Available in 1-litre bottles = 33 doses.

Pulse Cleaner

For use with Puli-Jet Gentle. Automatically aspirates air and fluids to create turbulence for effective disinfection.

Antifoaming Disinfectant Tablets

Tablets reduce foam created by blood and mucus. The tablet dissolves through the working day, slowly releasing disinfectant, thus also further preventing bacterial build-up. Pack contains 50 tablets; one tablet required per surgery per day.

Lubri-Jet

Silicone solution with drop dispenser for lubricating o-rings. 4 x 30ml bottles per pack.

Cattani suction tips

Available in high- and low-volume sizes to evacuate fluids and airborne particles. Autoclavable to 135°C. Each pack contains 3 tips.

CONSUMABLES – MAGNOLIA

PULI-JET GENTLE DISINFECTANT 1LT

Commercial grade disinfectant for semi-wet, wet and dry suction systems. 1 lt makes 33 doses (30ml of Puli-Jet Gentle to 2.5 lt of warm water). Available in 1 lt bottles.



	SINGLE	4 PACK	12 PACK	120 PACK
ITEM CODE	M060970	M060970004	M060970012	M060970120
COST (EX GST)	\$48.50	\$170.00	\$456.50	\$4,065.50
COST (INC GST)	\$53.35	\$187.00	\$502.15	\$4,472.05

ANTIFOAMING DISINFECTANT TABLETS

Reduces foam in suction systems created by blood and mucus, as well as releasing a disinfectant through the working day. Use one tablet per surgery, per day.

Each box contains 50 tablets.



	SINGLE	10 PACK
ITEM CODE	M040825	M04082510
COST (EX GST)	\$108.50	\$874.50
COST (INC GST)	\$119.35	\$961.95

PULSE CLEANER

Used to automatically aspirate Puli-Jet Gentle through the suction system. It aspirates air and fluids to create turbulence for effective disinfection.



	SINGLE	4 PACK	10 PACK
ITEM CODE	C-040720	C-0407204	C-04072010
COST (EX GST)	\$93.00	\$335.00	\$901.50
COST (INC GST)	\$102.30	\$368.50	\$991.65

REDUCER ADAPTOR FOR PULSE CLEANER



ITEM CODE	QTY	COST INC GST
C-040398	SINGLE	\$26.40

PLUNGER FOR PULSE CLEANER



ITEM CODE	QTY	COST INC GST
C-201846	SINGLE	\$24.20

LUBRI-JET SILICONE LUBRICANT DROPS 30ML

Silicone based lubricant in a handy dropper bottle. Ideal for lubricating O-rings.

Each pack contains 4 bottles.



	SINGLE
ITEM CODE	M-040727
COST (EX GST)	\$31.00
COST (INC GST)	\$34.10

ANTIFOAM LIQUID

High efficacy antifoam silicone liquid for larger suction systems. Reduces foam created by blood and mucus.



	SINGLE
ITEM CODE	C-AS1000
COST (EX GST)	\$298.00
COST (INC GST)	\$327.80

CONSUMABLES – SUCTION TIPS

SURGICAL SUCTION TIP #9

Surgical tip (to fit 11mm hose terminal) with smaller diameter for more precise evacuation of fluids from the oral cavity.

Each single pack contains 3 suction tips.



	SINGLE	34 PACK	68 PACK
ITEM CODE	CT90000	CT9X000	CT9X680
COST (EX GST)	\$31.00	\$815.00	\$1,173.50
COST (INC GST)	\$34.10	\$896.50	\$1,290.85

SURGICAL SUCTION TIP #21

Surgical tip (to fit 11mm hose terminal) with smaller diameter for more precise evacuation of fluids from the oral cavity.

Each single pack contains 3 suction tips.



	SINGLE	34 PACK	68 PACK
ITEM CODE	CT21000	CT21X00	CT21X68
COST (EX GST)	\$31.00	\$815.00	\$1,173.50
COST (INC GST)	\$34.10	\$896.50	\$1,290.85

HIGH VOLUME EVACUATOR (HVE) TIP #11

HVE suction tip (to fit 17mm hose terminal) for high volume air flow to evacuate water sprays and airborne particles before they can escape the oral cavity.

Each single pack contains 3 suction tips.



	SINGLE	34 PACK	68 PACK
ITEM CODE	CT11000	CT11X00	CT11X68
COST (EX GST)	\$31.00	\$815.00	\$1,173.50
COST (INC GST)	\$34.10	\$896.50	\$1,290.85

HIGH VOLUME EVACUATOR (HVE) TIP #17

HVE suction tip (to fit 11mm hose terminal) for high volume air flow to evacuate water sprays and airborne particles before they can escape the oral cavity.

Each single pack contains 3 suction tips.



	SINGLE	34 PACK	68 PACK
ITEM CODE	CT17000	CT17X00	CT17X68
COST (EX GST)	\$31.00	\$815.00	\$1,173.50
COST (INC GST)	\$34.10	\$896.50	\$1,290.850

HIGH VOLUME EVACUATOR (HVE) TIP #20

HVE suction tip (to fit 17mm hose terminal) for high volume air flow to evacuate water sprays and airborne particles before they can escape the oral cavity.

Each single pack contains 3 suction tips.



	SINGLE	34 PACK	68 PACK
ITEM CODE	CT20000	CT20X00	CT20X68
COST (EX GST)	\$31.00	\$815.00	\$1,173.50
COST (INC GST)	\$34.10	\$896.50	\$1,290.85

HIGH VOLUME EVACUATOR (HVE) TIP #22

HVE suction tip (to fit 17mm hose terminal) for high volume air flow to evacuate water sprays and airborne particles before they can escape the oral cavity.

Each single pack contains 3 suction tips.



	SINGLE	34 PACK	68 PACK
ITEM CODE	CT22000	CT22X00	CT22X68
COST (EX GST)	\$31.00	\$815.00	\$1,173.50
COST (INC GST)	\$34.10	\$896.50	\$1,290.85



MAINTENANCE AND SERVICE

SERVICE KITS AND SPARE PARTS

MAINTENANCE AND SERVICE

Give your equipment some After Care – it's a smart move

Cattani Australasia wants equipment owners to get maximum benefit, reliability and life out of their purchase. To that end, we encourage all end users to follow our daily and weekly maintenance guidelines (see the video via the QR code on this page).

We also urge owners to ensure that their equipment is serviced annually using the After Care Service Kits. With annual servicing and scheduled replacement of wear-prone parts you are protecting the power behind your practice. Your suction unit and compressor will then serve you well for its lifetime, preventing untimely and costly breakdowns; and you know the cost from the beginning.

What you get with the After Care programme:

- Outstanding annual servicing
- Transparent pricing
- Servicing at times that suit you
- Specific kits for each servicing
- Servicing and log book managed by the technician

AFTER CARE
∴ 100% RELIABILITY

BLUEPRINTS
∴ 100% RELIABILITY

After Care and Blueprints Training

To give you an idea of how serious Cattani Australasia is about reliability, we have developed a comprehensive After Care training programme so that your technician knows everything about servicing your equipment. And we have another programme, called Blueprints, that teaches technicians in the field all there is to know about working with the equipment, and its installation. With technicians who have completed these popular courses, you are in good hands.

Join the After Care programme

Contact your service technician or dealer and take advantage of After Care – it's a smart move.

SUCTION UNIT MAINTENANCE

Point your smartphone camera at this QR code to view our short instructional videos



COMPRESSOR SERVICE KITS AND SPARE PARTS

COMPRESSOR SERVICE KITS

MINOR SERVICE KITS (STANDARD)

ITEM CODE	PRODUCT DESCRIPTION	COST INC GST
K-SK1013	MINOR SERVICE KIT 1 – CYLINDER HEAD UNIT	\$176.00
K-SK2013	MINOR SERVICE KIT 2 – CYLINDER HEAD UNIT	\$258.50
K-SK3013	MINOR SERVICE KIT 3 – CYLINDER HEAD UNIT	\$310.20
K-SK10611	MINOR SERVICE KIT 6 – CYLINDER HEAD UNIT	\$488.40
K-SK3618	MINOR SERVICE VALUE PACK – 36 FILTERS & 18 O-RINGS	\$2,178.00

MINOR SERVICE KITS (HEPA FILTER FOR DRYING COLUMN)

ITEM CODE	PRODUCT DESCRIPTION	COST INC GST
K-SK1013B	MINOR SERVICE KIT 1 – CYLINDER HEAD UNIT WITH HEPA 14	\$210.10
K-SK2013B	MINOR SERVICE KIT 2 – CYLINDER HEAD UNIT WITH HEPA 14	\$284.90
K-SK3013B	MINOR SERVICE KIT 3 – CYLINDER HEAD UNIT WITH HEPA 14	\$356.95
K-SK10611B	MINOR SERVICE KIT 6 – CYLINDER HEAD UNIT WITH HEPA 14	\$571.45

INTERMEDIATE SERVICE KITS (STANDARD)

ITEM CODE	PRODUCT DESCRIPTION	COST INC GST
K-SK1010	INTERMEDIATE SERVICE KIT 1 – CYLINDER HEAD UNIT	\$276.65
K-SK2010	INTERMEDIATE SERVICE KIT 2 – CYLINDER HEAD UNIT	\$370.70
K-SK3010	INTERMEDIATE SERVICE KIT 3 – CYLINDER HEAD UNIT	\$384.45

* Includes motor start capacitor

INTERMEDIATE SERVICE KITS (HEPA FILTER FOR DRYING COLUMN)

ITEM CODE	PRODUCT DESCRIPTION	COST INC GST
K-SK101B	INTERMEDIATE SERVICE KIT 1 – CYLINDER HEAD UNIT WITH HEPA 14	\$322.30
K-SK201B	INTERMEDIATE SERVICE KIT 2 – CYLINDER HEAD UNIT WITH HEPA 14	\$489.50
K-SK301B	INTERMEDIATE SERVICE KIT 3 – CYLINDER HEAD UNIT WITH HEPA 14	\$517.00

* Includes motor start capacitor



*Please refer to the After Care Service Kit selection manual in the Resources section of our website for all kit details.

COMPRESSOR SPARE PARTS

PARTS FOR COMPRESSOR HEAD UNITS (PUMPS)

ITEM CODE	MODEL SUITED	PRODUCT DESCRIPTION	COST INC GST
K-010862	ALL MODELS	REPAIR KIT FOR HEAD (VALVE PLATE AND GASKET)	\$374.00
K-178601	ALL MODELS	CYLINDER FOR COMPRESSOR	\$262.90
K-179802	ALL MODELS	CYLINDER HEAD FOR COMPRESSOR	\$419.65
K-178284	ALL MODELS	PISTON AND CONROD ASSEMBLY	\$754.60
K-209920	ALL MODELS	PLASTIC COOLING FAN (PISTON END OF HEAD)	\$45.65
K-219600	ALL MODELS	CAP FOR FILTER	\$12.65
C-168120	K/AC 100/200	COVER FOR COOLING FAN (ELECTRICAL MOTOR END)	\$37.40
K-178802	K/AC 300	HOUSING - 3 CYLINDER COMPRESSOR	\$582.45
K-258815	K/AC 100/200	MOTOR MOUNT - 1 & 2 CYLINDER COMPRESSOR	\$48.95
K-258820	K/AC 300/500/600	MOTOR MOUNT - 3 CYLINDER COMPRESSOR	\$36.30
K-101000	K/AC 100	COMPRESSOR HEAD - SINGLE CYLINDER	\$4,255.90
K-201000	K/AC 200	COMPRESSOR HEAD - 2 CYLINDER	\$5,458.20
K-201300	K/AC 400	COMPRESSOR HEAD - 2 CYLINDER 3 PHASE	\$5,458.20
K-301000	K/AC 300	COMPRESSOR HEAD - 3 CYLINDER	\$6,436.65
K-301300	K/AC 500/600	COMPRESSOR HEAD - 3 CYLINDER 3 PHASE	\$6,436.65
K-010611	K/AC 1200/1800	COMPRESSOR HEAD - 6 CYLINDER 3 PHASE	\$12,544.95
C-169925	K/AC 100/200	COOLING FAN FOR COMPRESSOR (ELECTRICAL MOTOR END)	\$37.40
K-178805	K/AC 100/200	HOUSING - 1 & 2 CYLINDER COMPRESSOR	\$419.65
K-207506	K/AC 100/200	PLASTIC COVER (BLACK) FOR COOLING FAN (CRANK END)	\$41.25



AIR INLET FILTER FOR COMPRESSOR

ITEM CODE	QTY	COST INC GST
K-168563	SINGLE	\$71.50
K-16856310	10 PACK	\$605.00
K-16856350	50 PACK	\$2,530.00



HEPA FILTER FOR COMPRESSOR

ITEM CODE	QTY	COST INC GST
K-168429	SINGLE	\$108.90



COMPRESSOR SPARE PARTS

PARTS FOR COMPRESSOR

ITEM CODE	MODEL SUITED	PRODUCT DESCRIPTION	COST INC GST
K-189324	ALL MODELS	SOLENOID FOR DESICCANT DRYER	\$484.00
K-189994	K/AC 100/200	ELECTRICAL FAN FOR RADIATOR – 1 & 2 CYLINDER	\$262.90
K-189990	K/AC 300	ELECTRICAL FAN FOR RADIATOR – 3 CYLINDER	\$526.90
K-199717	K/AC 100	REGENERATING TANK FOR 1 CYLINDER COMPRESSORS	\$265.65
K-199716	K/AC 200	REGENERATING TANK FOR 2 CYLINDER COMPRESSORS	\$299.20
K-199715	K/AC 300	REGENERATING TANK FOR 3 CYLINDER COMPRESSORS	\$316.25
K-202000	K/AC 100/200	RADIATOR FOR 2 CYLINDER COMPRESSORS	\$828.30
K-302000	K/AC 300	RADIATOR FOR 3 CYLINDER COMPRESSORS	\$1,225.95
K-189909	ALL MODELS	PRESSURE SWITCH FOR COMPRESSOR	\$508.75
K-169362	ALL MODELS	CONDENSATE DRAIN BOTTLE CONNECTION ASSEMBLY	\$80.85
K-209610	ALL MODELS	DRAIN BOTTLE FOR COMPRESSOR CONDENSATE	\$39.05
K-169832	ALL MODELS	NON RETURN VALVE FOR COMPRESSOR TANK	\$86.35

CHANGE OVER EXCHANGES

ITEM CODE	MODEL SUITED	PRODUCT DESCRIPTION	COST INC GST
K-101000CO	K/AC 100	1 CYLINDER 1 PHASE	\$2,014.65
K-201000CO	K/AC 200/400	2 CYLINDER 1 PHASE	\$3,494.70
K-201300CO	K/AC 400	2 CYLINDER 3 PHASE	\$3,494.70
K-301000CO	K/AC 300	3 CYLINDER 1 PHASE	\$4,058.45
K-301300CO	K/AC 600/900	3 CYLINDER 3 PHASE	\$4,058.45
K-010611-CO	K/AC 1200/1800	6 CYLINDER 3 PHASE	\$9,313.70

CAPACITORS

ITEM CODE	PRODUCT DESCRIPTION	COST INC GST
C-189146	20 µF CAPACITOR C87.0 "UL" METAL WITH 150MM CABLE	\$103.40
C-189147	40 µF CAPACITOR C87.0 "UL" METAL WITH 350MM CABLE	\$164.45
C-189148	55 µF CAPACITOR C87.0 "UL" METAL WITH 150MM CABLE	\$206.25

SUCTION **SERVICE KITS** **AND SPARE PARTS**

SUCTION SERVICE KITS

MINOR SERVICE PARTS

ITEM CODE	PRODUCT DESCRIPTION	COST INC GST
C-211956 M-040727	MICRO SMART SUCTION INLET FILTER O-RING LUBRI-JET DROPS LUBRICANT 30 ML WITH DROPPER	\$6.05 \$34.10
C-211974 M-040727	TURBO SMART SUCTION INLET FILTER O-RING LUBRI-JET DROPS LUBRICANT 30 ML WITH DROPPER	\$9.35 \$34.10
C-215986 M-040727	MAXI SMART SUCTION INLET FILTER O-RING LUBRI-JET DROPS LUBRICANT 30 ML WITH DROPPER	\$6.05 \$34.10



INTERMEDIATE SERVICE KITS

ITEM CODE	PRODUCT DESCRIPTION	COST INC GST
C-MR60SK	MICRO SMART & CUBE INTERMEDIATE SERVICE KIT – ISO 6 HYDROCYCLONE	\$465.85
C-1H00SK	TURBO SMART & CUBE INTERMEDIATE SERVICE KIT – ISO 18 HYDROCYCLONE	\$136.40
C-043390SK	MAXI SMART INTERMEDIATE SERVICE KIT – ISO 60 HYDROCYCLONE	\$199.65



MAJOR SERVICE KITS

ITEM CODE	PRODUCT DESCRIPTION	COST INC GST
C-MSMSK0	MICRO SMART MAJOR SERVICE KIT (inc. centrifuge, blower and internal hose kits)	\$905.30
C-MSCMSK	MICRO SMART CUBE MAJOR SERVICE KIT (inc. centrifuge, blower and internal hose kits)	\$816.20
C-TSMSK0	TURBO SMART MAJOR SERVICE KIT (inc. centrifuge, blower and internal hose kits)	\$846.45
C-TSCMSK	TURBO SMART CUBE MAJOR SERVICE KIT (inc. centrifuge, blower and internal hose kits)	\$842.05
C-MAXIMSK	MAXI SMART MAJOR SERVICE KIT (inc. centrifuge, blower and internal hose kits)	\$1,451.45



ASPI-JET MOBILE SUCTION – MINOR SERVICE KITS (2,000 HRS/1 YEAR)

ITEM CODE	PRODUCT DESCRIPTION	COST INC GST
C-000600SK	ASPI-JET 1 PHASE – MINOR SERVICE KIT	\$274.45
C-000600SKB	ASPI-JET 1 PHASE – MINOR SERVICE KIT WITH REPLACEMENT HEPA H14 FILTER	\$1,080.20

* Please refer to the After Care Service Kit selection manual in the Resources section of our website for all kit details.

SUCTION SPARE PARTS

FILTER – INLINE COMPLETE

In-line filter with 25mm port connections. Includes filter element. This filter is also the inlet filter of Turbo Jet 1 and 2 Modular.



ITEM CODE	COST INC GST
C-004000	\$187.00

BRACKET FOR 0040 FILTER

Mounting bracket for in-line filter (C-004000). L-shaped bracket designed to be able to mount filter in a vertical or horizontal position.



ITEM CODE	COST INC GST
N-40HB00	\$79.75

FILTER ELEMENT FOR 0040

Filter element for in-line filter (C-004000) and Turbo Jet 1 & 2 Modular inlet filter.



ITEM CODE	QTY	COST INC GST
C-240317	SINGLE	\$63.80
C-240317-6	6 PACK	\$261.80

COMPLETE FILTER (ELEMENT AND HOUSING) FOR SMART SUCTION UNITS

Complete inlet filter for SMART suction units.



ITEM CODE	SYSTEM	COST INC GST
C-201547	MICRO SMART	\$197.45
C-201544	TURBO SMART	\$197.45
C-201543	MAXI SMART	\$230.45

FILTER ELEMENT FOR MANUAL TIP SUPPORT (0011B) & ASPI-JET RANGE

ITEM CODE	QTY	COST INC GST
C-113000	SINGLE	\$37.40
C-113000-6	6 PACK	\$147.40



AIR FILTERS

ITEM CODE	QTY	COST INC GST
C-120280	SINGLE	\$12.65
C-120280-10	10 PACK	\$69.30
C-120280-100	100 PACK	\$619.85



SUCTION SPARE PARTS

INLET FILTER FOR MAXI CANISTER SEPARATOR & ASPI-JET 7, 8 & 9

Inlet filter for Maxi Canister SEPARATOR which are also installed in Aspi-Jets 7, 8 and 9.

ITEM CODE	COST INC GST
C-120290	\$20.90



FILTER FOR PNEUMATIC TIP SUPPORT (0055)

Filter element for all pneumatic tip support units.

ITEM CODE	COST INC GST
C-551400	\$37.40



FILTER FOR SPITTOON

Manufactured to fit different brand dental chair spittoon bowls.

ITEM CODE	MODEL SUITED	COST INC GST
C-201533	ADEC AND ANTHOS	\$249.70
C-201596	PLANMECA	\$249.70
C-201599	SIRONA	\$249.70



OTHER PARTS

ASPI-JET

ITEM CODE	PRODUCT DESCRIPTION	COST INC GST
C-606800	RUBBER ELBOW - ASPI-JET 6 + UNI JET IN BOX	\$54.45
C-603941	CANISTER TOP - ASPI-JET 6	\$190.85
C-603600	CASTORS - ASPI-JET 6 7 8 + 9	\$17.05

TURBO SMART

ITEM CODE	PRODUCT DESCRIPTION	COST INC GST
C-182575	SWITCH FOR BLACK CONTROL PANEL	\$84.15
C-186485	COOLING FAN FOR TURBO & MICRO SMART	\$342.65

SUCTION SPARE PARTS

MONO JET DRAIN PUMP – COMPLETE

ITEM CODE	COST INC GST
C-10010500C	\$744.70



INLET FILTER ELEMENT FOR TURBO TECNO AND TURBO FLUX MODULAR

ITEM CODE	SYSTEM	COST INC GST
C-240303	TURBO TECNO	\$69.30
C-240306	TURBO TECNO-FLUX	\$83.05



DRAIN PUMP AND HOUSING FOR CONTINUOUS SUCTION SEPARATOR

ITEM CODE	COST INC GST
C-020931	\$496.65



FILTER FOR PNEUMATIC MANIFOLD

ITEM CODE	COST INC GST
C-201513	\$83.05



DRAIN PUMP ONLY FOR CONTINUOUS SUCTION SEPARATOR

ITEM CODE	COST INC GST
C-150451	\$372.90



DRAIN PUMP FOR ASPI-JET 7, 8 AND 9

ITEM CODE	COST INC GST
C-909570	\$619.85



SUCTION SPARE PARTS

ELBOW HOSE CONNECTORS

32mm I.D. female coupling to tapered spigot for flexible suction hose.
25 mm (C-3923B0) 30 mm (C-3923A0)

ITEM CODE	SIZE	QTY	COST INC GST
C-3923B0	25MM	SINGLE	\$14.85
C-3923B010	25MM	10 PACK	\$91.85
C-3923A0	30MM	SINGLE	\$14.85
C-3923A010	30MM	10 PACK	\$91.85



COUPLING CONNECTOR - 32MM

32mm O.D. male joining coupling with O-rings

ITEM CODE	QTY	COST INC GST
C-0040D0	SINGLE	\$37.40
C-0040D010	10 PACK	\$249.70



STRAIGHT HOSE CONNECTORS

32mm I.D. female coupling to tapered spigot for flexible suction hose.
20 mm (C-3922C0) 25 mm (C-3922B0) 30 mm (C-3922A0)

ITEM CODE	SIZE	QTY	COST INC GST
C-3922C0	20MM	SINGLE	\$14.85
C-3922C010	20MM	10 PACK	\$91.85
C-3922B0	25MM	SINGLE	\$14.85
C-3922B010	25MM	10 PACK	\$91.85
C-3922A0	30MM	SINGLE	\$14.85
C-3922A010	30MM	10 PACK	\$91.85



MOUNTED CONNECTORS - FLANGE FITTING WITH CAPTIVE NUTS

ITEM CODE	MODEL SUITED	COST INC GST
C-112800	2 HOSE TIP SUPPORT (0011B) & ASPI-JETS	\$26.40
C-202512	TURBO JET 1 & 2 MODULAR IN COVER	\$43.45



HOSE CONNECTOR FOR MOTORIZED SUCTION ISOLATION VALVE

Fits into the motorised suction isolation valve with tapered spigot for flexible suction hose. 30 mm (C-110800) 40 mm (C-110840)

ITEM CODE	SIZE	COST INC GST
C-110800	30MM	\$20.90
C-110840	40MM	\$20.90



ADAPTOR FOR EP SUCTION ISOLATING VALVE

Reduction bush - glues into 40mm DWV pipe (pipe may need to be heated to fit the bush). Reduces internal diameter to 32mm to accept EP suction isolation valve or coupling connector - 32mm (C-0040D0).

ITEM CODE	QTY	COST INC GST
F-AEP400	SINGLE	\$18.15
F-AEP40010	10 PACK	\$154.00



SUCTION SPARE PARTS

CONTROL PANELS

ITEM CODE	PRODUCT DESCRIPTION	COST INC GST
C-023770	MICRO SMART CONTROL PANEL (ZIGBEE)	\$5,200.80
C-023770C0	MICRO SMART CHANGE OVER EXCHANGE CONTROL PANEL (ZIGBEE)	\$1,210.55
C-023768	MICRO SMART GEN 3 WI-FI CONTROL PANEL	\$3,656.40
C-023773	MICRO SMART CUBE CONTROL PANEL	\$5,325.10
C-023784	TURBO SMART GEN 3 SEALED CONTROL PANEL	\$3,220.25
C-023784C0	TURBO SMART A CHANGE OVER EXCHANGE UPGRADE GEN 3 SEALED CONTROL PANEL	\$1,202.30
C-023784C0B	TURBO SMART B CHANGE OVER EXCHANGE UPGRADE GEN 3 SEALED CONTROL PANEL	\$1,202.30
C-023752	TURBO SMART GEN 3C WI-FI CONTROL PANEL	\$3,962.20
C-023753	TURBO SMART CUBE CONTROL PANEL	\$6,960.25

SMART SUCTION – CHANGE OVER EXCHANGE PUMPS

It is the responsibility of the distributor to return the exchanged unit (at their cost) within 30 days or contact your BDM for further information

ITEM CODE	PRODUCT DESCRIPTION	COST INC GST
SEPARATORS		
C-025401C0	MICRO SMART (INC CUBE) SEPARATOR CHANGE OVER EXCHANGE	\$1,641.75
C-0034MS3C0	TURBO SMART (INC CUBE) SEPARATOR CHANGE OVER EXCHANGE	\$2,567.40
C-025408C0	MAXI SMART SEPARATOR CHANGE OVER EXCHANGE	\$6,350.85
BLOWERS		
C-014057C0	MICRO SMART BLOWER (U.J. 40) CHANGE OVER EXCHANGE	\$1,131.90
C-017500C0	MICRO SMART CUBE BLOWER (U.J. 25) CHANGE OVER EXCHANGE	\$1,062.05
C-1M0000C0	TURBO SMART BLOWER (U.J 75) CHANGE OVER EXCHANGE	\$1,160.50
C-014095C0	TURBO SMART CUBE BLOWER (U.J 40) CHANGE OVER EXCHANGE	\$1,351.90
C-091655C0	MAXI SMART BLOWER (M.J.2V) CHANGE OVER EXCHANGE	\$6,902.50

CENTRIFUGE

ITEM CODE	SYSTEM/PHASE	COST INC GST
C-0034MS	HP TYPE 1 PHASE	\$4,953.85
C-0034MS3PH	HP TYPE 3 PHASE	\$4,953.85
C-025401	MICRO SMART	\$3,939.65
C-025408	MAXI SMART 3 PHASE	\$9,251.00
C-0033M0	T1/T2 SEPARATOR 1 PHASE	\$2,585.55

PCBs

ITEM CODE	PRODUCT DESCRIPTION	COST INC GST
C-AC48B0	AC48B TURBO JET 1 AND 2, TECNO AND 2V, TURBO FLUX	\$1,109.35
C-AC8600	AC86 PCB WITH LEVEL SENSOR FOR HYDROCYCLONE ISO-18 TURBO SMART	\$274.45
C-606300	AC15 ASPI-JET 6	\$653.95
C-AC4500	AC45 CONTINUOUS SUCTION SEPARATOR	\$639.10
C-AC1300	AC13 UNI JET IN BOX	\$213.40
C-AC1200	AC12 3-4 MOTOR CONTROL FOR LARGE PANELS	\$1,041.70
C-AC14B0	AC14B MAXI CANISTER – SINGLE SURGERY	\$473.00
C-AC2300	AC23 EP VALVE	\$102.30
C-AC2500	AC25 MINI CANISTER – OLD STYLE	\$382.25
C-AC25B0	AC25B SEMI-DRY SEPARATOR (A60 ETC.)	\$382.25
C-AC2900	AC29 SINGLE SURGERY CONTROL	\$514.80
C-AC3300	AC33 SPITTOON VALVE C021960	\$310.75
C-AC5800	AC58 MICRO CENTRIFUGE/UNIVERSAL COMPACT SEP.	\$1,258.95
C-AC5455	AC5455 HYDROCYCLONE LEVEL CONTROL FOR TURBO JET MODULAR RANGE	\$1,598.85
C-185032	MINI SEPARATOR PROBES 180 DEGREES	\$25.30
C-185033	ROUND FOR TOP OF MINI CANISTER 90 DEGREES	\$28.60

SUCTION SPARE PARTS

CHANGE OVER EXCHANGE BLOWER

ITEM CODE	PRODUCT DESCRIPTION	COST INC GST
C-002300CO	UNI JET 75 1 PHASE	\$920.15
C-0023V0CO	UNI JET 75 2V 1 PHASE	\$1,782.55
C-006900CO	TECNO JET 1 PHASE	\$1,762.20
C-014000CO	FLUX JET 1.1 KW 1 PHASE	\$2,183.50
C-A00150CO	MEDIO JET 3 PHASE	\$3,326.95

CAPACITORS

ITEM CODE	PRODUCT DESCRIPTION	COST INC GST
C-189106	10 μ F CAPACITOR METAL	\$90.75
C-189146	20 μ F CAPACITOR C87.0 "UL" METAL WITH 150MM CABLE	\$103.40
C-189147	40 μ F CAPACITOR C87.0 "UL" METAL WITH 350MM CABLE	\$164.45

MAJOR SERVICE KITS

ITEM CODE	PRODUCT DESCRIPTION	COST INC GST
C-006900-SK	TECNO JET (~1)	\$407.00
C-002300-SK	UNI JET 75 (~1)	\$383.35
C-0023V0-SK	UNI JET 75 2V (~1)	\$338.80
C-014000-SK	FLUX JET (~1)	\$449.90
C-A00150-SK	MEDIO JET (~3)	\$299.20

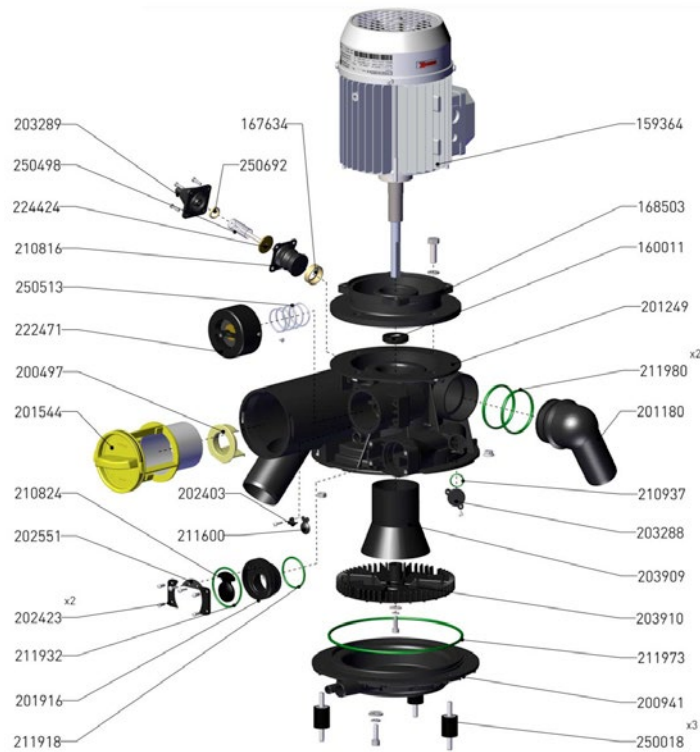
SUCTION SPARE PARTS

O-RINGS

ITEM CODE	PRODUCT DESCRIPTION	QTY	COST INC GST
C-210910	MANIFOLD C1132	SINGLE	\$6.05
C-21091020	MANIFOLD C1132	20 PACK	\$41.25
C-210910100	MANIFOLD C1133	100 PACK	\$132.00
C-210933	HOSE END SMALL	SINGLE	\$6.05
C-21093320	HOSE END SMALL	20 PACK	\$41.25
C-210933100	HOSE END SMALL	100 PACK	\$132.00
C-210934	HOSE END LARGE	SINGLE	\$6.05
C-21093420	HOSE END LARGE	20 PACK	\$41.25
C-210934100	HOSE END LARGE	100 PACK	\$132.00
C-2109330HR	HOSE END SMALL HEAT RESISTANT	SINGLE	\$7.15
C-210933R20	HOSE END SMALL HEAT RESISTANT	20 PACK	\$43.45
C-210933R1X	HOSE END SMALL HEAT RESISTANT	100 PACK	\$165.00
C-2109340HR	HOSE END LARGE HEAT RESISTANT	SINGLE	\$7.15
C-210934R20	HOSE END LARGE HEAT RESISTANT	20 PACK	\$43.45
C-210934R1X	HOSE END LARGE HEAT RESISTANT	100 PACK	\$165.00
C-215943	ISO 18 & ISO 6 CUP	SINGLE	\$6.05
C-21594320	ISO 18 & ISO 6 CUP	20 PACK	\$41.25
C-210907	CONTINUOUS SUCTION NON-RETURN INLET	SINGLE	\$6.05
C-21090720	CONTINUOUS SUCTION NON-RETURN INLET	20 PACK	\$41.25
C-210907100	CONTINUOUS SUCTION NON-RETURN INLET	100 PACK	\$132.00
C-210909	CONNECTORS SEPARATOR TOP 0039A	SINGLE	\$6.05
C-21090920	CONNECTORS SEPARATOR TOP 0039A	20 PACK	\$41.25
C-210909100	CONNECTORS SEPARATOR TOP 0039A	100 PACK	\$132.00
C-210911	THREADED INSERT 0055	SINGLE	\$6.05
C-21091120	THREADED INSERT 0056	20 PACK	\$41.25
C-210920	SEPARATOR TANK BASE	SINGLE	\$6.05
C-21092020	SEPARATOR TANK BASE	20 PACK	\$41.25
C-211932	O-RING - WASTE OUTLET (OUTER) - SMART SEPARATOR	SINGLE	\$6.05
C-21193220	O-RING - WASTE OUTLET (OUTER) - SMART SEPARATOR	20 PACK	\$41.25

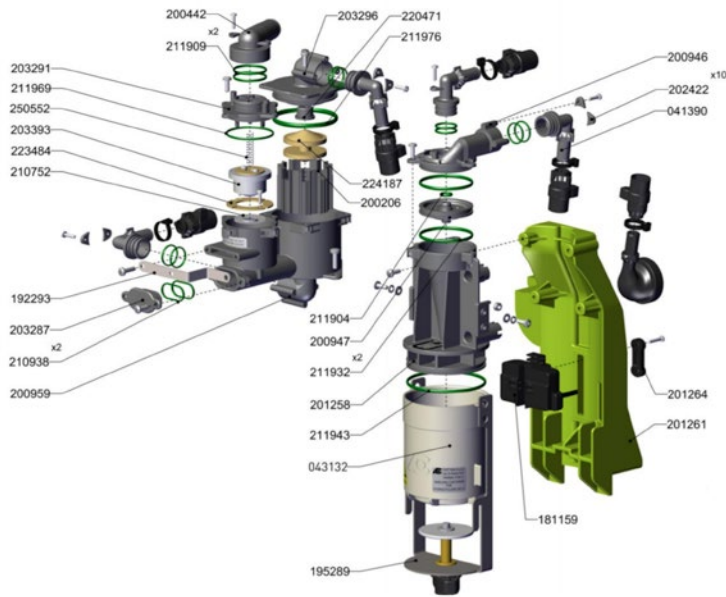
ITEM CODE	PRODUCT DESCRIPTION	QTY	COST INC GST
C-210944	ISO UNIT ELBOW	SINGLE	\$6.05
C-21094420	ISO UNIT ELBOW	20 PACK	\$41.25
C-211956	MICRO SMART INLET FILTER	SINGLE	\$6.05
C-2119565	MICRO SMART INLET FILTER	5 PACK	\$17.60
C-211974	TURBO SMART INLET FILTER	SINGLE	\$9.35
C-21197420	TURBO SMART INLET FILTER	20 PACK	\$90.75
C-210980	TURBO SMART CENT. RRY OUTLET ELBOW	SINGLE	\$6.05
C-21098010	TURBO SMART CENT. RRY OUTLET ELBOW	10 PACK	\$24.20
C-211973	HOUSING BASE PLATE (GREEN) - T/SMART	SINGLE	\$14.85
C-2119735	HOUSING BASE PLATE (GREEN) - T/SMART	5 PACK	\$57.75
C-211943	AMALGAM CONTAINER ISO 6 & 18 (VITON)	SINGLE	\$6.05
C-21194310	AMALGAM CONTAINER ISO 6 & 18 (VITON)	10 PACK	\$41.25
C-215986	MAXI SMART INLET FILTER	SINGLE	\$6.05
C-215986-10	MAXI SMART INLET FILTER	10 PACK	\$24.20

SUCTION SPARE PARTS – TURBO SMART SEPARATOR



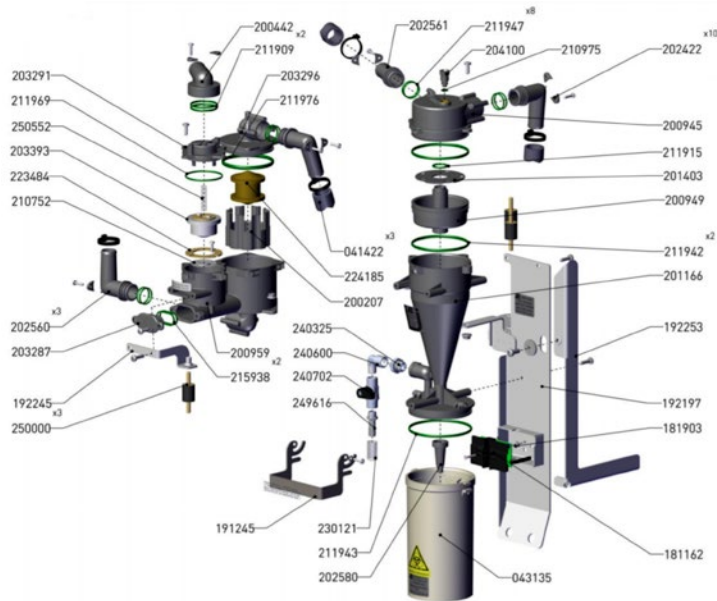
ITALIAN ITEM CODE	AU ITEM CODE	PRODUCT DESCRIPTION	COST INC GST
203289	C-203289	COVER – PRESSURE VALVE TURBO SMART	\$95.70
250498	C-250498	SPRING ON TURBO SMART SEPARATOR VALVE	\$29.70
210816	C-210816	DIAPHRAGM FOR TURBO SMART VALVE	\$52.25
250513	C-250513	SPRING FOR VALVE ON SMART SEPARATOR	\$54.45
222471	C-222471	VALVE ON SMART SEPARATOR	\$479.60
201544	C-201544	INLET FILTER & HOUSING X TURBO SMART	\$197.45
202403	C-202403	CLIP FOR MICRO CENTRIFUGE FLAP VALVE	\$29.70
211600	C-211600	NON RETURN FLAP VALVE	\$43.45
210824	C-210824	NON-RETURN FLAP VALVE	\$133.10
202551	C-202551	SMART CENT HOLDING PLATE X NON RETURN FLAP	\$54.45
202423	C-202423	RETAINING PLATE – SMART WASTE OUTLET	\$58.30
211932	C-211932	O-RING – WASTE OUTLET (OUTER) – SMART SEPARATOR	\$6.05
201916	C-201916	NON RETURN VALVE BODY FOR HP CENTRIFUGE	\$72.60
211918	C-211918	O-RING – WASTE OUTLET (INNER) – SMART SEPARATOR	\$4.95
168503	C-168503	MID PLATE CASTING FOR TURBO SMART SEPARATOR	\$200.75
160011	C-160011	OIL SEAL FOR HP CENTRIFUGE	\$20.90
211980	C-210980	O-RING FOR TURBO SMART CENT. DRY OUTLET ELBOW	\$6.05
201180	C-201180	ELBOW FOR SMART CENTRIFUGE 40MM	\$113.30
210937	C-210933-0HR	O-RING	\$7.15
203288	C-203288	HP CENT BYPASS VALVE INSPECT PLATE	\$50.05
203909	C-203909	CONE FOR HP TYPE CENTRIFUGE	\$133.10
203910	C-203910	IMPELLER TURBO SMART/HP TYPE CENTRIFUGE	\$259.60
211973	C-210973	O-RING FOR SMART CENT BASE	\$9.35
200941	C-200941	TURBO SMART CENTRIFUGE BASE	\$326.70
250018	C-250018	MOTOR MOUNT FOR SMART CENTRIFUGE	\$8.25

SUCTION SPARE PARTS – ISO 6



ITALIAN ITEM CODE	AU ITEM CODE	PRODUCT DESCRIPTION	COST INC GST
203291	C-203291	TOP COVER FOR WASTE OUTLET ISO 6 & 8	\$28.60
211969	C-211969	O-RING	\$4.95
250552	C-250552	SPRING FOR ISO 18 WASTE NON RETURN VALVE	\$9.35
203393	C-203393	BOB ASSEMBLY FOR ISO18 WASTE NON RETURN VALVE	\$79.75
223484	C-223484	RETAINER – RUBBER SEAT – NON RETURN VALVE ISO 18	\$10.45
210752	C-215752	C – RUBBER SEAT – NON RETURN VALVE ISO 18	\$19.80
210938	C-210934-0HR	O-RING	\$7.15
200442	C-200442	ELBOW FOR ISO 18 ON SMART	\$33.00
211909	C-210909	O-RING	\$6.05
211976	C-215976	O-RING	\$8.25
224187	C-224187	BRASS VALVE FOR HYDROCYCLONE – M/SMART AND M/SMART CUBE	\$86.35
200206	C-200206	SUPPORT CAGE FOR HYDROCYCLONE – MICRO SMART/ MICRO SMART	\$29.70
211904	C-211904	O-RING – CYCLONE 6 EXIT	\$4.95
211932	C-211932	O-RING – WASTE OUTLET (OUTER) – SMART SEPARATOR	\$6.05
211943	C-215943	O-RING FOR ISO 18 & ISO 5.5 CUP – SINGLE	\$6.05
043132	C-043132	CONTAINER – ISO 5.5 AMALGAM TRAP – MIC SMART (ECOCYCLE ONLY)	\$155.65
195289	C-195289	ISO 6 CUP BRACKET COMPLETE	\$330.00
041390	C-041390	HOSE ASSEMBLY – ISO 6 HYDROCYCLONE	\$460.35
201264	C-201264	HOLDING PIECE FOR ISO-5.5 SENSOR MOUNT	\$15.95
181159	C-181159	AMALGAM LEVEL SENSOR FOR MICRO SMART	\$339.90

SUCTION SPARE PARTS – ISO 18

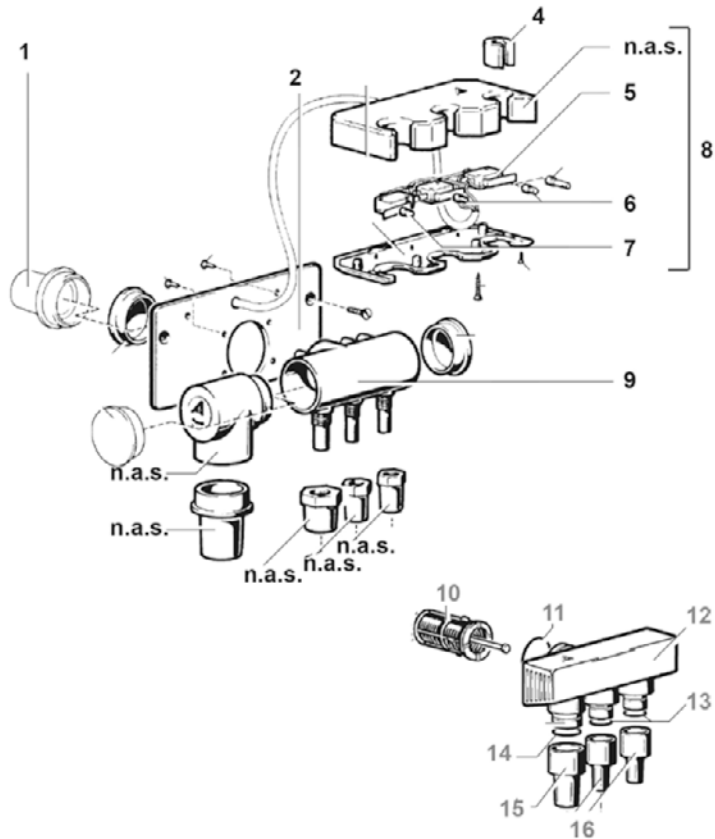


ITALIAN ITEM CODE	AU ITEM CODE	PRODUCT DESCRIPTION	COST INC GST
203291	C-203291	TOP COVER FOR WASTE OUTLET ISO 6 & 8	\$28.60
211969	C-211969	O-RING	\$4.95
250552	C-250552	SPRING FOR ISO 18 WASTE NON RETURN VALVE	\$9.35
203393	C-203393	BOB ASSEMBLY FOR ISO18 WASTE NON RETURN VALVE	\$79.75
223484	C-223484	RETAINER – RUBBER SEAT – NON RETURN VALVE ISO 18	\$10.45
210752	C-215752	RUBBER SEAT – NON RETURN VALVE ISO 18	\$19.80
202560	C-202560	ISO-18 ELBOW	\$30.80
250000	C-250000	BLOWER SUPPRT MOUNTS – MICRO SMART CUBE	\$11.55
200442	C-200442	C – ELBOW FOR ISO 18 ON SMART	\$33.00
211909	C-210909	O-RING	\$6.05
211976	C-215976	O-RING	\$8.25
200959	C-200959	ISO 6 & 18 RECYCLE CHAMBER HOUSING	\$401.50
215938	C-210934-0HR	O-RING	\$7.15
041422	C-041422	TUBE 17.5MM DARK GREY X TURBO SMART	\$46.75
224185	C-224185	BYPASS VALVE 1IN FOR ISO 18	\$59.40
200207	C-200207	SUPPORT CAGE FOR 1IN BYPASS VALVE (ISO 18)	\$20.90
240325	C-240325	SMALL METAL CONNECTOR FOR ISO-18 DRAIN	\$7.15
240600	C-240600	SMALL METAL ELBOW FOR ISO-18 DRAIN	\$11.55
240702	C-240702	SMALL METAL TAP FOR ISO-18 DRAIN	\$53.35
249616	C-249616	METAL CONNECTOR FOR ISO-18 DRAIN VALVE	\$7.15
230121	C-230121	DRAIN TUBE FOR DRIP TRAY – MICRO SART CUBE	\$13.75
211943	C-215943	O-RING FOR ISO 18 & ISO 5.5 CUP – SINGLE	\$6.05
202580	C-202580	ISO-18 CYCLONE TIP	\$20.90
202561	C-202561	ISO-18 STRAIGHT CONNECTOR	\$17.05
211947	C-215947	O-RING FOR ISO-18 HOSE CONNECTOR	\$4.95
210975	C-215975	O-RING FOR ISO-18 BREATHER SCREW	\$6.05
211915	C-211915	O-RING FOR ISO 18 CYCLONE EXIT	\$4.95
211942	C-215942	O-RING FOR ISO-18 BODY	\$7.15
201166	C-201114	ISO-18 CYCLONE BODY	\$551.10
192197	C-192197	SUPPORTING BRACKET FOR AMALGAM CUP SENSOR PCB (GEN 3C)	\$306.35
181162	C-181162	AMALGAM CUP SENSOR PCB (GEN 3C COMPATIBLE)	\$255.20
043135	C-043135	CONTAINER TALL – ISO 18 L/MIN AMALGAM TRAP(CMA ECO ONLY)	\$181.50
224185	C-224185	BYPASS VALVE 1IN FOR ISO 18	\$59.40

SUCTION SPARE PARTS – MANUAL TIP SUPPORT 0011A & 0011B

Order codes for suction hose – see page 51.
 Order codes for hose terminals and terminal kits – see page 52. NB: Standard suction hose used on this tip support is silicone.

n.a.s = Not available separately



NO.	ITEM CODE			PRODUCT DESCRIPTION	COST INC GST
	BLACK	GREY	WHITE		
1	C-110800			HOSE CONNECTOR 30MM FOR 0011A	\$20.90
2	C-223243			MOUNTING BRACKET FOR 0011A	\$83.05
4	C-111700	C-1117G0		REDUCER	\$10.45
5	C-183011			MICRO SWITCH FOR 0011 SWITCHED HANGER	\$26.40
6	C-111800	C-1118G0		ACTIVATING PIN FOR 0011 – 11MM TERMINAL	\$7.15
7	C-111900	C-1119G0		ACTIVATING PIN FOR 0011 – 17MM TERMINAL	\$7.15
8	C-604000	C-604G00		SWITCHED HANGER COMPLETE WITH SWITCHES	\$330.00
9	C-110511	C-110511-00G		SUCTION HOSE MANIFOLD FOR 0011A (INC ELBOW)	\$89.65
10	C-113000			FILTER ELEMENT FOR MANUAL TIP SUPPORT 0011B	\$37.40
11	C-210910*			O-RING FOR MANUAL TIP SUPPORT (0011B) MANIFOLD	\$6.05
12	C-113200	C-1132G0		SUCTION HOSE MANIFOLD FOR 0011B (& ASPI)	\$102.30
13	C-210933*			O-RING FOR 11MM HOSE END CONNECTOR	\$6.05
14	C-210934*			O-RING FOR 17MM HOSE END CONNECTOR	\$6.05
15	C-203449	C-203471	C-203439	HOSE & TERMINAL END CONNECTOR 17MM	\$20.90
16	C-203448	C-203470	C-203438	HOSE & TERMINAL END CONNECTOR 11MM	\$20.90
NOT SHOWN:					
	C-210933-0HR*			HEAT RESISTANT O-RING FOR 11MM HOSE & TERMINAL END CONNECTOR	\$7.15
	C-210934-0HR*			HEAT RESISTANT O-RING FOR 17MM HOSE & TERMINAL END CONNECTOR	\$7.15
	C-110840			HOSE CONNECTOR 40MM FOR 0011A	\$20.90

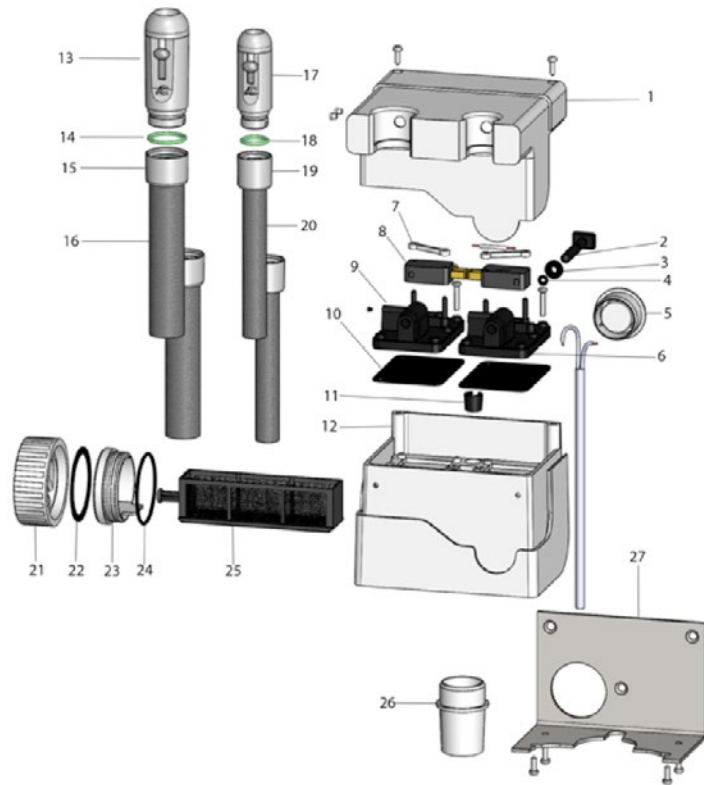
* See page 74 for Bulk Prices on O-rings

SUCTION SPARE PARTS – PNEUMATIC TIP SUPPORT 0055

Order codes for suction hose – see page 51.

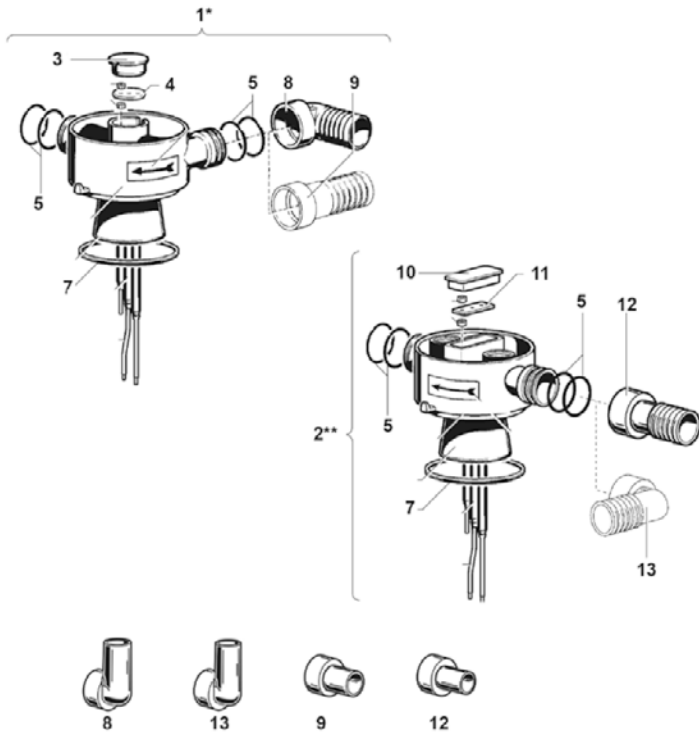
Order codes for hose terminals and terminal kits – see page 52. NB: Standard suction hose used on this tip support is silicone.

n.a.s = Not available separately



NO.	ITEM CODE			PRODUCT DESCRIPTION	COST INC GST
	BLACK	GREY	WHITE		
1	C-550200	C-5502G0	C-5502W0	TOP COVER FOR 0055	\$60.50
2	C-202451			ACTIVATING PIN KIT FOR 0055 INC O-RING & SEAL	\$24.20
3	(SUPPLIED WITH C-202451)			SEAL – ACTIVATING PIN (N.A.S)	-
4	(SUPPLIED WITH C-202451)			O-RING – ACTIVATING PIN (N.A.S)	-
5	C-551700	C-5517G0		BLANKING CAP FOR 0055	\$14.85
6	C-551900			DIAPHRAGM LID – LVE (11MM) SIDE	\$26.40
7	C-550300			LOCKING BAR FOR 0055 MICRO SWITCH	\$9.35
8	C-550400			MICRO SWITCH TO SUIT 0055	\$33.00
9	C-550900			DIAPHRAGM LID – HVE (17MM) SIDE	\$26.40
10	C-551000			DIAPHRAGM FOR 0055	\$20.90
11	C-552000			SWITCH CABLE FASTENER FOR 0055	\$10.45
12	C-551800	C-5518G0		BODY FOR 0055	\$121.55
13	C-110140	C-11014G	C-11014W	HOSE TERMINAL LARGE – 17MM	\$58.30
14	C-210934-0HR*			HEAT RESISTANT O-RING FOR 17MM HOSE CONNECTOR	\$7.15
15	C-203449	C-203471	C-203439	HOSE END CONNECTOR 17MM	\$20.90
16		C-11012S-00G	C-11012W	17MM SILICONE SUCTION HOSE	\$63.80 PER M
17	C-110150	C-11015G	C-11015W	HOSE TERMINAL SMALL – 11MM	\$58.30
18	C-210933-0HR*			HOSE RESISTANT O-RING FOR 11MM HOSE CONNECTOR	\$7.15
19	C-203448	C-203470	C-203438	HOSE END CONNECTOR 11MM	\$20.90
20		C-11013S-00G	C-11013W	11MM SILICONE SUCTION HOSE	\$63.80 PER M
21	C-551200	C-5512G0		FILTER LID FOR 0055	\$14.85
22	C-551300			SEAL FOR 0055 FILTER LID	\$9.35
23	C-5518T0	C-5518TG		THREADED INSERT FOR 0055 FILTER CAP	\$20.90
24	C-210911			O-RING FOR 0055 THREADED INSERT	\$6.05
25	C-551400			FILTER ELEMENT FOR PNEUMATIC TIP SUPPORT 0055	\$37.40
26	C-551600	C-5516G0		SUCTION HOSE CONNECTOR 25MM FOR 0055	\$20.90
27	C-551100			MOUNTING BRACKET FOR 0055	\$58.30

SUCTION SPARE PARTS – CONTINUOUS SUCTION/MINI SEPARATOR



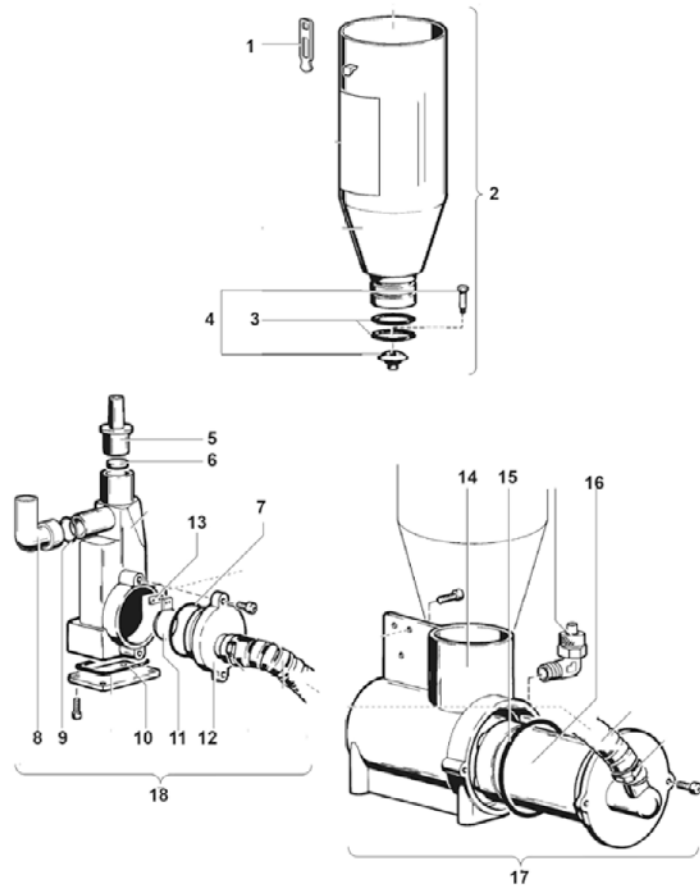
NO.	ITEM CODE	PRODUCT DESCRIPTION	COST INC GST
1 **	C-201038	90° LID FOR CONT. SUCTION/MINI SEPARATOR	\$249.70
2 ***	C-201044	180° LID FOR CONT. SUCTION/MINI SEPARATOR	\$249.70
3	C-201067	PROBE COVER FOR CONT. SUCTION/MINI SEPARATOR (90° LID)	\$14.85
4	C-185033	PROBE PCB FOR CONT. SUCTION/MINI SEPARATOR (90° LID)	\$28.60
5	C-210909	O-RING FOR CONT. SUCTION/MINI SEPARATOR LID	\$6.05
7	C-210808	SEAL FOR CONT. SUCTION/MINI SEPARATOR LID	\$13.75
8 *	C-3923A0	ELBOW HOSE CONNECTOR 30MM*	\$14.85 SINGLE
9 *	C-3922A0	STRAIGHT HOSE CONNECTOR 30MM*	\$14.85 SINGLE
10	C-201066	PROBE COVER FOR CONT. SUCTION/MINI SEPARATOR (180° LID)	\$24.20
11	C-185032	PROBE PCB FOR CONT. SUCTION/MINI SEPARATOR (180° LID)	\$25.30
12 *	C-3922B0	STRAIGHT HOSE CONNECTOR 25MM*	\$14.85 SINGLE
13 *	C-3923B0	ELBOW HOSE CONNECTOR 25MM*	\$14.85 SINGLE
NOT SHOWN:			
	C-6812B0	PLASTIC ENCLOSURE FOR AC45 PCB	\$36.30
	C-AC4500	AC45 PCB FOR CONT. SUCTION SEPARATOR	\$639.10

* See page 51 for Bulk Prices on hose connectors

** 90° Inlet/Outlet lids (1) are used on Continuous Suction/Mini Separators in cover.

*** 180° Inlet/Outlet lids (2) are used on Continuous Suction/Mini Separators without cover.

SUCTION SPARE PARTS – CONTINUOUS SUCTION/MINI SEPARATOR



NO.	ITEM CODE	PRODUCT DESCRIPTION	COST INC GST
1	C-100990	RUBBER CLAMPS FOR ALL CATTANI SEPARATOR LIDS	\$12.65
2	C-203816	TANK FOR CONT. SUCTION/MINI SEPARATOR	\$166.65
3	C-210920	O-RING FOR BASE OF ALL CATTANI SEPARATOR TANKS	\$6.05
4	C-100220	RUBBER DRAIN VALVE ASSY FOR ALL CATTANI SEPARATOR TANKS	\$50.05
5	C-202505	BREATHER OUTLET – CONT. SUCTION NON-RETURN	\$20.90
6	C-210840	BREATHER VALVE – CONT. SUCTION NON-RETURN	\$8.25
7	C-210907	O-RING FOR CONT. SUCTION NON-RETURN INLET	\$6.05
8	C-201176	OUTLET ELBOW – CON. SUCTION NON-RETURN	\$26.40
9	C-210944	O-RING – WASTE OUTLET CONT. SUCTION NON-RETURN	\$6.05
10	C-210910*	O-RING – BASE OF CONT. SUCTION NON-RETURN UNIT	\$6.05
11	C-211600	RUBBER FLAP VALVE – NON-RETURN	\$43.45
12	C-202504	INLET FLANGE CONNECTOR – CONT. SUCTION NON-RETURN	\$19.80
13	C-211600-00C	RETAINING CLIP FOR NON-RETURN FLAP VALVE (211600)	\$20.90
14	C-200111	HOUSING FOR CONT. SUCTION DRAIN PUMP	\$104.50
15	C-211932	O-RING – WASTE OUTLET (OUTER) – SMART SEPARATOR	\$6.05
16	C-150451	DRAIN PUMP ONLY FOR CONT. SUCTION SEPARATOR	\$372.90
17	C-020931	DRAIN PUMP & HOUSING FOR CONT. SUCTION SEPARATOR	\$496.65
18	C-201111-265	NON-RETURN & BREATHER ASSY – CONT. SUCTION SEPARATOR	\$113.30

* See page 74 for Bulk Prices on O-rings





EQUIPMENT INSTALLATION

CONTENTS

EQUIPMENT INSTALLATION

What you need to know

Suction and air supply are the unsung heroes of the dental practice. Without their optimal performance and reliability, work suffers and can even stop, so it is essential that your Cattani equipment is installed correctly.

Your Cattani dealer will discuss with you the various installation options and recommend those that best suit your clinic and environment. The information below is a useful starting point for site requirements, while your installer has the expertise to ensure your set-up produces optimal performance and longevity.

The team at Cattani is also happy to advise you on planning your installation. Call us at +61 3 9484 1120.

Suction System Essentials

The suction piping system uses DWV PVC pipe and connects each dental surgery back to the suction unit in the plant room. The suction unit should be installed on the same floor level or below the level of the dental chairs. It should have a constant fall from the chairs towards the suction unit and cannot include 90° junctions, dips, U-shapes or rises. Termination within the dental surgery is typically at the floor junction box of the dental chair, but is site dependent. The chair manufacturer or installer should be consulted for location details.

Your suction unit will need:

- Suction inlet connection – termination of suction piping that connects to dental surgeries
- Waste connection – sewer drain pipe terminated lower than waste outlet of suction unit
- Exhaust air outlet connection – piping that directs exhaust air to atmosphere outside the building
- Power supply – dedicated electrical power circuit to run the suction unit
- Control switch wiring – switch wiring to connect the dental surgeries to the suction unit

Compressor Essentials

The compressed air piping system is typically copper and connects each dental surgery back to the compressor unit in the plant room. Termination within the dental surgery is typically at the floor junction box of the dental chair, but is site dependent. The chair manufacturer or installer should be consulted for location details.

Your compressor will need:

- Compressed air outlet connection – termination of compressed air piping system that connects to the dental surgeries
- Power supply – dedicated electrical power circuit to run the suction unit
- Waste connection (optional) – sewer connection to allow drainage of compressor condensate

Location and Access – Where to Position Your Plant Room

When designing a new practice, the location of your plant room is an important consideration because proper planning will ensure the most efficient and balanced suction performance. Locating the plant room close to surgeries prevents under-performance caused by excessive pipeline lengths. The plant room must be on the same floor as the dental chairs, or below them. Fluids need to fall to the pump, so if there is a floor below the chairs, like a car park or basement that is accessible and still close to the dental suites above, that location would be ideal for the plant room. Many sites also have air-conditioned plant rooms to protect their investment.

Maximise Your System's Performance with an Air Injector Valve

Cattani highly recommends the use of an Air Injector Valve with all suction systems. It is best to install one at the time the clinic is constructed but they can also be added later.

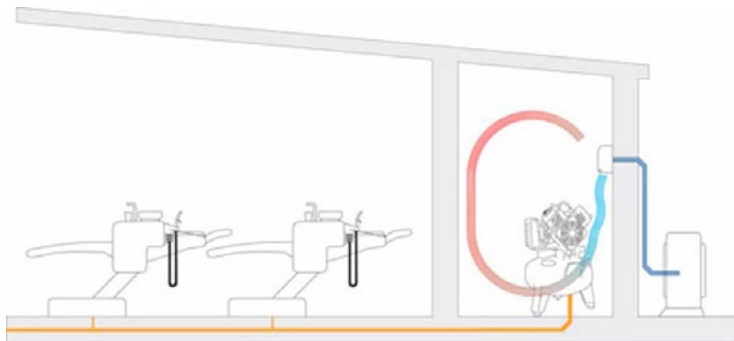
Air must flow through the piping in a suction system to help aspirated fluids reach the suction unit. Depending on the site scenario, it is possible that insufficient air will flow through the system. This can lead to fluctuations in performance as fluids pool at the lowest part of the system, with air flow falling below optimal levels. An Air Injector Valve, installed at the end of the pipeline, is an excellent way to compensate for any lack of air volume.

EQUIPMENT INSTALLATION

There are two types available:

- Standard Air Injector Valve – a constantly variable unit that allows the flow of small volumes of air over long periods. It is a simple spring-loaded, vacuum-actuated valve, designed to open at the same time that the chairs are in operation.
- Automatic Air Injector Valve – an automated unit that allows the flow of large volumes of air over short periods. This is an electro-pneumatic valve that is actuated by an electrical signal. It is designed to open only when all chairs have ceased operation. With no air flow required from the chairs, the valve allows a large volume of air to be injected into the system without compromising the performance to the chair.

If you are building a new clinic, we strongly recommend that you make provision for an Air Injector Valve to be fitted, even if you don't install it straight away. It is much simpler to install an Air Injector Valve to existing services rather than have to add those services later. To provide for an Air Injector Valve, you need to extend the suction pipeline past the chair furthest from the suction unit, terminating the line at a point higher than the main suction pipe line, in an accessible area like a cabinet, ceiling space, void etc. An additional switch cable between this point and the suction unit is also required. Ensure that the pipe is capped if an Air Injector Valve is not being installed immediately. If a system does not have the extra pipe-work from the start, an Air Injector Valve can be retro-fitted by adding it to the floor junction box of the dental chair. However, the noise generated by the aspirated air can be disruptive.



Pipeline Design and Layout

The pipeline needs to facilitate the flow of air and fluids back to the plant room. Pipelines should be designed with a main pipe connected to branches from each dental chair. Large clinics may also require sub-branches. Where possible the piping should take the shortest and straightest route between the plant room and the last dental chair on the line. The diameter of the pipe depends on the number of chairs and the proximity to the plant room: in simple terms, the further from the plant room, the smaller the pipe.

Pipe Size Guidelines

Pipe size plays a crucial role in ensuring an even air flow and efficient evacuation of fluids. Suction plumbing requirements based on an average air flow rate of 350l/min per chair are:

- 1-2 chairs – 40mm DWV pipe
- 3-6 chairs – 50mm DWV pipe
- 7-10 chairs – 65mm DWV pipe
- 11-15 chairs – 80mm DWV pipe

Pipeline Configuration Guidelines

Bends in the pipeline should never be greater than 45°. If a 90° bend is required, use 2 x 45° bends together in-line. All branches entering a main line must use 45° junctions. Do not use a T-junction when splitting main lines into two branches. Instead, use a 45° Y-junction for the first branch off the main line and 2 x 45° bends for the second.

Pipeline Rise and Fall Guidelines

The pipeline should slope constantly towards the suction unit in the plant room. Strictly avoid dips and U-shapes around beams etc to prevent fluids pooling at the lowest point and restricting air flow. If the suction unit is installed on the same floor as the dental chairs, a single vertical rise should be installed just before the unit with the height kept to a minimum. The higher this rise, the greater the risk of fluids creating a wave effect as they try to reach the inlet of the suction unit. This "wave" may cause fluctuating performance at the suction tips.

EQUIPMENT INSTALLATION

Ventilation Guidelines – Controlling the Temperature in Your Plant Room

Air Conditioning

Air conditioning is the best way to maintain the stable temperatures your plant room equipment needs for optimal performance. Modern split systems are the most efficient and affordable. And with a dedicated air conditioner in your plant room, no vents are required, so noise emissions are greatly reduced.

The clinic's central air conditioning system must not include the plant room. Instead the room should have its own dedicated air conditioner. Central systems are designed for human comfort and the thermostat is usually located in reception. It cannot sense the temperature in the plant room, so in winter, for example, it would often be heating the room, even though it generates its own heat.

Recommendations for plant room air conditioning:

- 1-4 surgeries – 2.5 kW
- 4-6 surgeries – 3.5 kW
- 6-8 surgeries – 4.5 kW
- 8-10 surgeries – 5.5 kW

Fan-forced Ventilation

Fan-forced ventilation systems turn over the air in the plant room. Cool air is drawn in while hot air is exhausted via the in-line fan. With this ventilation method we recommend a fan capacity of 150m³/hr per 1 kW power rating of your equipment.

There are drawbacks with fan-forced ventilation:

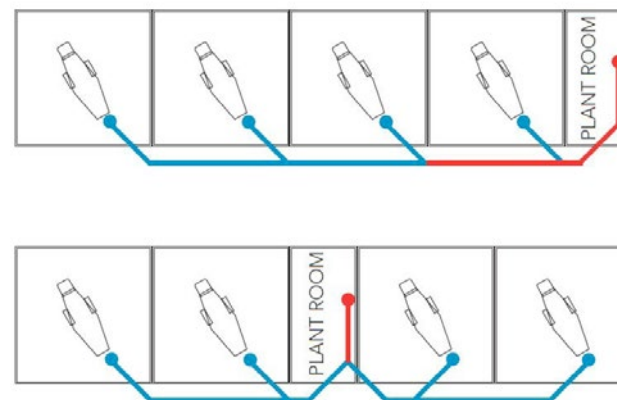
- Noise – the vents needed to allow air to flow through the plant room also allow more noise to escape the room, including extra noise generated by the cooling fans.
- Temperature – an efficient fan-forced ventilation system will only reduce the temperature to 10°C above the incoming air temperature. Also, temperature control is only as consistent as the incoming air temperature.

Noise Reduction Options

All plant room equipment generates noise, which can irritate dentists, staff and patients. The noise level may also breach council and body corporate regulations. Any noise reduction solution that will cause equipment to overheat is out of the question, so a balance between ventilation and noise reduction needs to be found:

- The plant space can be air conditioned to eliminate the need for vents
- The space may be lined with sound-deadening material
- Cattani supplies Acoustic Covers for certain models
- Mufflers can be fitted to the suction exhaust outlet
- Fan-forced ventilation vents can be baffled (see below)

A simple baffle can reduce noise escaping from vents. Essentially, a box with one end open is placed over the vent. Air can pass through but noise is absorbed. The box can be made of materials similar to cabinet doors and ideally should be lined with sound-deadening material. Ensure that the open end of the box is large enough so that it does not restrict air flow. Restricting air flow will compromise the efficiency of the ventilation system.





SALES AND TECHNICAL SUPPORT:

AUSTRALIA

+61 3 9484 1120

CATTANI@CATTANI.COM.AU

WWW.CATTANI.COM.AU

NEW ZEALAND

0800 68 22 88

CATTANI@CATTANI.CO.NZ

WWW.CATTANI.CO.NZ

COMPANY ADDRESS:

280 DUNDAS STREET

THORNBURY VIC 3071